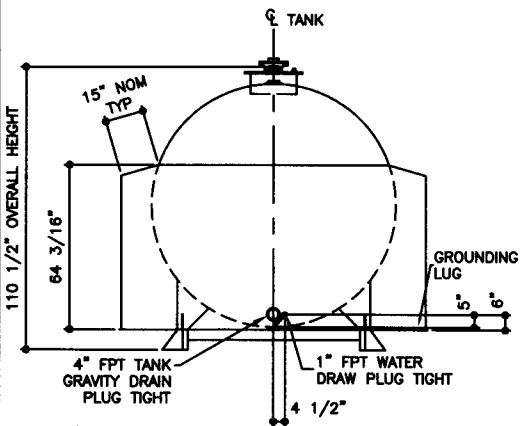
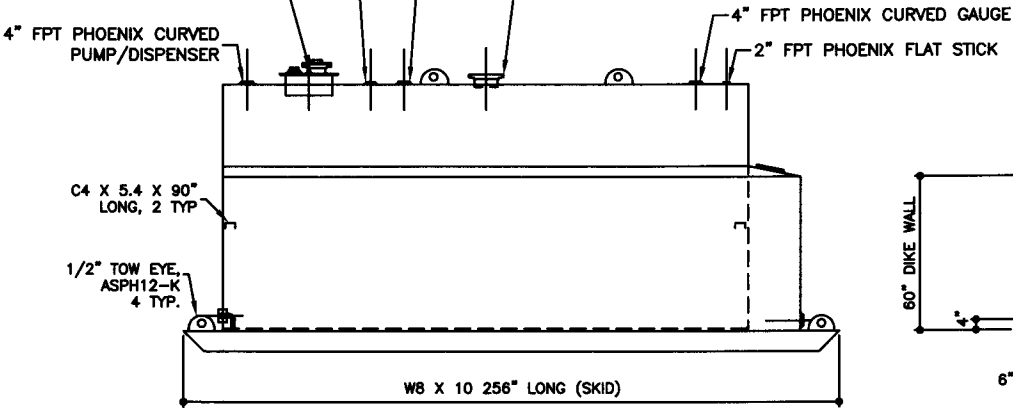


**TOP VIEW**

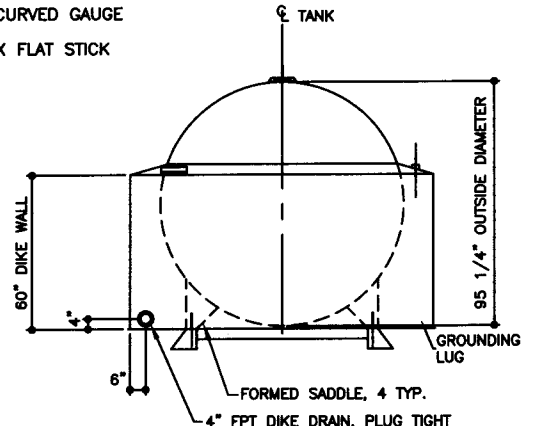
- 3" FPT PHOENIX CURVED NORMAL VENT/STAGE 1 VAPOR RECOVERY
- 18" ID PRODUCT FILL MANHOLE
- 3" FPT FULL CPLG LOWFILL OPENING
- 3/4" FPT FULL CPLG RETURN
- 4" FPT PHOENIX FLAT INSPECTION OPENING
- 4" FPT PHOENIX CURVED SPARE/STAGE 2 VAPOR RECOVERY
- EMERGENCY VENT
- 8" SLIP-ON FL 150# RF SCH 40 X 7" LONG PIPE



**ELEVATION - END VIEW**



**ELEVATION - SIDE VIEW**



**ELEVATION - END VIEW**

TOLERANCES	
TANK	
CAPACITY	-0% / +10
OVERALL LENGTH	-0" / +2"
OVERALL WIDTH	-0" / +1"
OVERALL HEIGHT	-1/2" / +1/2"
OTHER DIMENSIONS	-1/4" / +1/4"

UL 142 (BUILT & LABELED)  
 HOLDDOWNS ARE SEISMIC RATED  
 DIKE TANK WITH SKID

STEEL: ASTM A36  
 PRIMARY TANK  
 SHELL: 2 GAUGE (1/4")  
 HEAD: 2 GAUGE (1/4")

DIKE TANK  
 FLOOR: 6 GAUGE (3/16")  
 WALL: 10 GAUGE (9/64")  
 COWLING: 10 GAUGE (9/64")

COATING:  
 "R" EXTERIOR COATING, ACE 1A  
 RED SHOP COAT 1-3 MILS

"A" EXTERIOR ACE 3A COATING:  
 SP-6 GRIT BLAST  
 3A COLOR: #WH01 (WHITE)  
 1 CT TN-161 EPOXY 3.0-5.0 MILS  
 1 CT TN-74 URETHANE 2.0-3.0 MILS  
 TDFE 5.0-8.0 MILS

INTERIOR:  
 BARE STEEL

SPECIAL INSTRUCTIONS  
 PLUG TIGHT  
 WRENCH PLUG TIGHT WITH PIPE DOPE  
 ON THREADS AND TESTED LEAK FREE.  
 STIFFENERS ARE NOT SHOWN IN  
 ELEVATION VIEWS FOR CLARITY

APPROXIMATE SHIPPING WEIGHT  
 11,300 LBS.

TANK VENT CAPACITY  
 312,000



**AceDike - 6,000 GALLON**

ACE PART No. **AC06000U2D2** QTY: **1**

(F:111ACSHOPDIKEU2D2I2-ORTH.GCD-1:48)

JOB ID No.	ACE HOUSE PAPER No.	ENG. FILE No.
-	-	-

01-01-02 SUPERCEDES 09-01-01

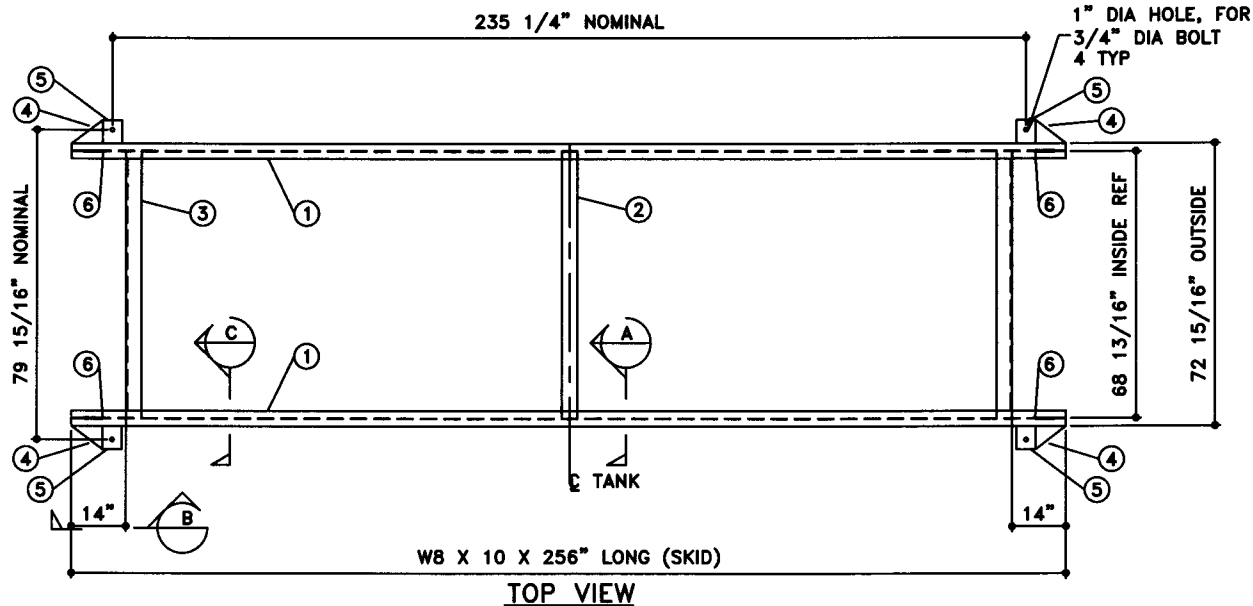
DRW BY -  
 REV No 1  
 SHEET 2  
 OF

# BILL OF MATERIAL

**NOTE:**

1. ALL NOMINAL DIMENSIONS ARE 2"±

ITEM	QTY	NAME	DESCRIPTION	MATL	PART No.	NOTES
1	2	SKID BEAM	W8 X 10 X 256" LONG	A36	-	MOUNT, COAT
2	1	SKID CROSS BRACE	4" SCH 40 PIPE X 68 13/16" LONG	A36	-	MOUNT, COAT
3	2	SKID CROSS BRACE	L4 X 4 X 3/8 X 68 13/16" LONG TOE DOWN COPE ENDS	A36	-	MOUNT, COAT
4	-	SKID CAP	PLATE	A36	-	SEE DTL SHT
5	-	SEISMIC HOLDDOWN	PLATE	A36	-	SEE DTL SHT
6	-	TOW EYE	PLATE	A36	-	SEE DTL SHT



P.O. Box 9039  
Seattle, WA 98109-0039

JOB ID No.	-
ACE HOUSE PAPER No.	-
ENGG. FILE No.	-
<b>TOLERANCES</b>	
<i>SKID</i>	
OVERALL LENGTH	-1/4" / +1/4"
OVERALL WIDTH	-1/4" / +1/4"
OVERALL HEIGHT	-1/4" / +1/4"
OTHER DIMENSIONS	-1/8" / +1/8"

QUANTITY	PART NAME	SKID DETAILS
1	ACE PART No.	AC06000U2D2
	(1.32)	

No.	DRAWING / REVISION	DRAWN BY	CHECKED BY	SHEET
1	1ST SUBMITTAL	-	-	OF
-	-	-	-	-
-	-	-	-	-
-	-	-	-	-
01-01-01 SUPERCEDES				