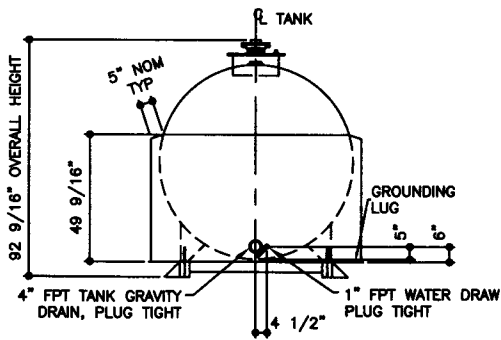
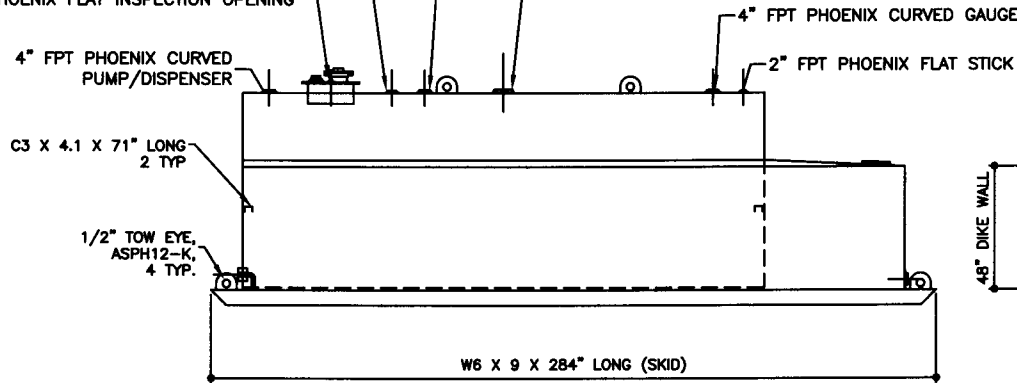


TOP VIEW

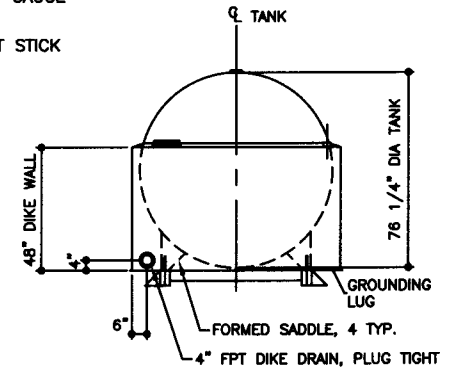
- 3" FPT PHOENIX CURVED NORMAL VENT/  
STAGE 1 VAPOR RECOVERY
- 4" FPT PHOENIX CURVED SPARE/STAGE 2 VAPOR RECOVERY
- 18" ID PRODUCT FILL MANHOLE
- 3" FPT FULL CPLG LOWFILL OPENING
- 3/4" FPT FULL CPLG RETURN
- 4" FPT PHOENIX FLAT INSPECTION OPENING
- 6" FPT PHOENIX CURVED EMERGENCY VENT



ELEVATION - END VIEW



ELEVATION - SIDE VIEW



ELEVATION - END VIEW

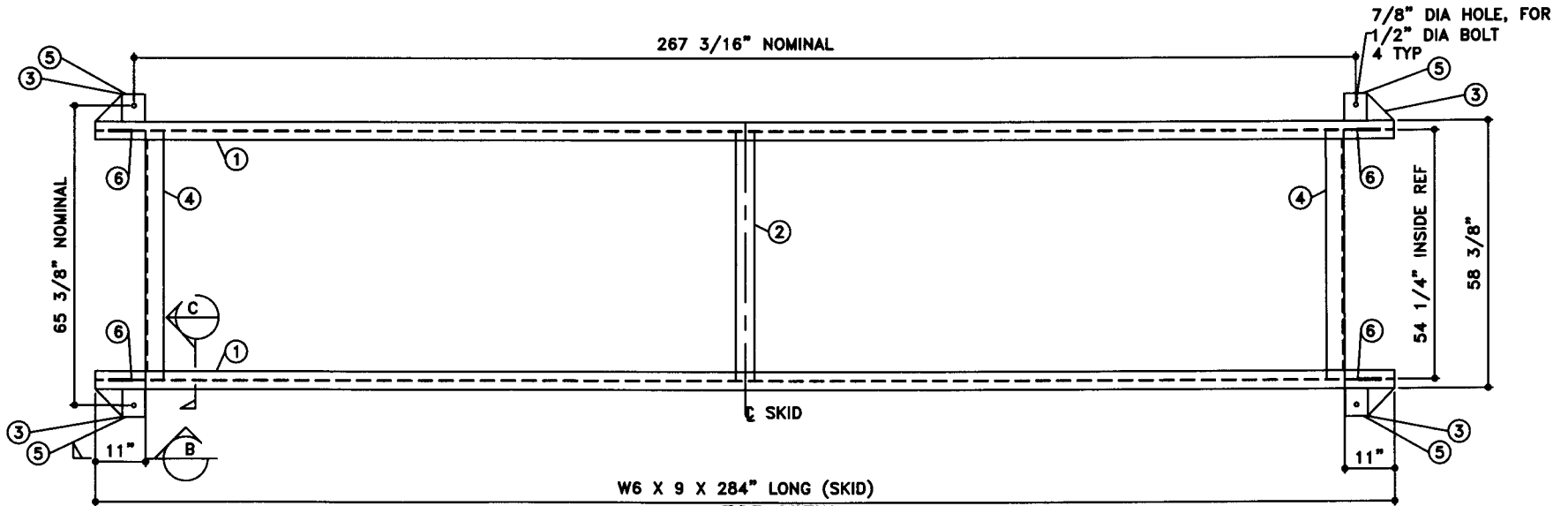
<b>TOLERANCES</b> <b>TANK</b> CAPACITY -0% / +10 OVERALL LENGTH -0' / +2" OVERALL WIDTH -0' / +1" OVERALL HEIGHT -1/2" / +1/2" OTHER DIMENSIONS -1/4" / +1/4" 1-206-281-5000		<b>UL 142 (BUILT &amp; LABELED)</b> <b>HOLDDOWNS ARE SEISMIC RATED</b> <b>DIKE TANK WITH SKID</b>		<b>STEEL: ASTM A36</b> <b>PRIMARY TANK</b> SHELL: 6 GAUGE (3/16") HEAD: 6 GAUGE (3/16")		<b>COATING:</b> <b>"R" EXTERIOR COATING, ACE 1A</b> <b>RED SHOP COAT 1-3 MILS</b> <b>"A" EXTERIOR ACE 3A COATING:</b> <b>SP-6 GRIT BLAST</b> <b>3A COLOR: #WH01 (WHITE)</b> 1 CT TN-161 EPOXY 3.0-5.0 MILS 1 CT TN-74 URETHANE 2.0-3.0 MILS TDFT 5.0-8.0 MILS		<b>SPECIAL INSTRUCTIONS</b> PLUG TIGHT WRENCH PLUG TIGHT WITH PIPE DOPE ON THREADS AND TESTED LEAK FREE. STIFFENERS ARE NOT SHOWN IN ELEVATION VIEWS FOR CLARITY		<b>APPROXIMATE SHIPPING WEIGHT:</b> 6,900 LBS. <b>TANK VENT CAPACITY</b> 288,000 PRIMARY		DRW BY - REV No 1 SHEET 2 OF
<b>AceDike - 4,000 GALLON</b> ACE PART No. AC04000U2D2 QTY: 1 (F:111ACSHOPDIKEU2D210400012-ORTH.GCD-1:48)		<b>DIKE TANK</b> FLOOR: 6 GAUGE (3/16") WALL: 10 GAUGE (9/64") COWLING: 10 GAUGE (9/64")		<b>INTERIOR:</b> BARE STEEL		JOB ID No. - ACE HOUSE PAPER No. - ENG. FILE No. - 01-01-02 SUPERCEDES 09-01-01						



# BILL OF MATERIAL

NOTE:  
1. ALL NOMINAL DIMENSIONS ARE 2"±

ITEM	QTY	NAME	DESCRIPTION	MATL	PART No.	NOTES
1	2	SKID BEAM	W6 X 9 X 284" LONG	A36	-	MOUNT, COAT
2	1	SKID CROSS BRACE	4" SCH 40 PIPE X 54 1/4" LONG	A36	-	MOUNT, COAT
3	-	SKID CAP	PLATE	-	-	MOUNT, COAT
4	2	SKID CROSS BRACE	L4 X 4 X 3/8 X 54 1/4" LONG TOE DOWN COPE ENDS	A36	-	MOUNT, COAT
5	-	SEISMIC HOLD DOWN	PLATE	A36	-	MOUNT, COAT
6	-	TOW EYE	PLATE	A36	-	SEE DTL SHT



JOB ID No.	TOLERANCES
-	SKID
ACE HOUSE PAPER No.	OVERALL LENGTH -1/4" / +1/4"
ENG. FILE No.	OVERALL WIDTH -1/4" / +1/4"
-	OVERALL HEIGHT -1/4" / +1/4"
-	OTHER DIMENSIONS -1/8" / +1/8"

QUANTITY	PART NAME	SKID DETAILS
1	ACE PART No.	AC04000U2D2
	(1:24)	

No.	DRAWING / REVISION	DRAWN BY	CHECKED BY	SHEET
1	1ST SUBMITTAL	-	-	OF
-	-	-	-	
-	-	-	-	
-	-	-	-	

01-01-01 SUPERCEDES