

ELEVATION - END VIEW

ELEVATION - SIDE VIEW

ELEVATION - END VIEW

TOLERANCES	
TANK	
CAPACITY	-0% / +10
OVERALL LENGTH	-0' / +2"
OVERALL WIDTH	-0' / +1"
OVERALL HEIGHT	-1/2" / +1/2"
OTHER DIMENSIONS	-1/4" / +1/4"

UL 142 (BUILT & LABELED)  
HOLDDOWNS ARE SEISMIC RATED  
DIKE TANK WITH SKID

STEEL: ASTM A36  
PRIMARY TANK  
SHELL: 2 GAUGE (1/4")  
HEAD: 2 GAUGE (1/4")

COATING:  
"R" EXTERIOR COATING, ACE 1A  
RED SHOP COAT 1-3 MILS

"A" EXTERIOR ACE 3A COATING:  
SP-6 GRIT BLAST  
3A COLOR: #WH01 (WHITE)  
1 CT TN-161 EPOXY 3.0-5.0 MILS  
1 CT TN-74 URETHANE 2.0-3.0 MILS  
TDFT 5.0-8.0 MILS

SPECIAL INSTRUCTIONS  
PLUG TIGHT  
WRENCH PLUG TIGHT WITH PIPE DOPE  
ON THREADS AND TESTED LEAK FREE.

STIFFENERS ARE NOT SHOWN IN  
ELEVATION VIEWS FOR CLARITY

APPROXIMATE SHIPPING WEIGHT  
26,800 LBS.

TANK VENT CAPACITY  
524,000 PRIMARY



**AceDike - 20,000 GALLON**

ACE PART No. **AC20000U2D2** QTY: **1**

(F:111ACSHOP\DIKEU2D2\2000012-ORTH.GCD-1-96)

DIKE TANK  
FLOOR: 6 GAUGE (3/16")  
WALL: 10 GAUGE (9/64")  
COWLING: 10 GAUGE (9/64")

INTERIOR:  
BARE STEEL

JOB ID No. ACE HOUSE PAPER No. ENG. FILE No.

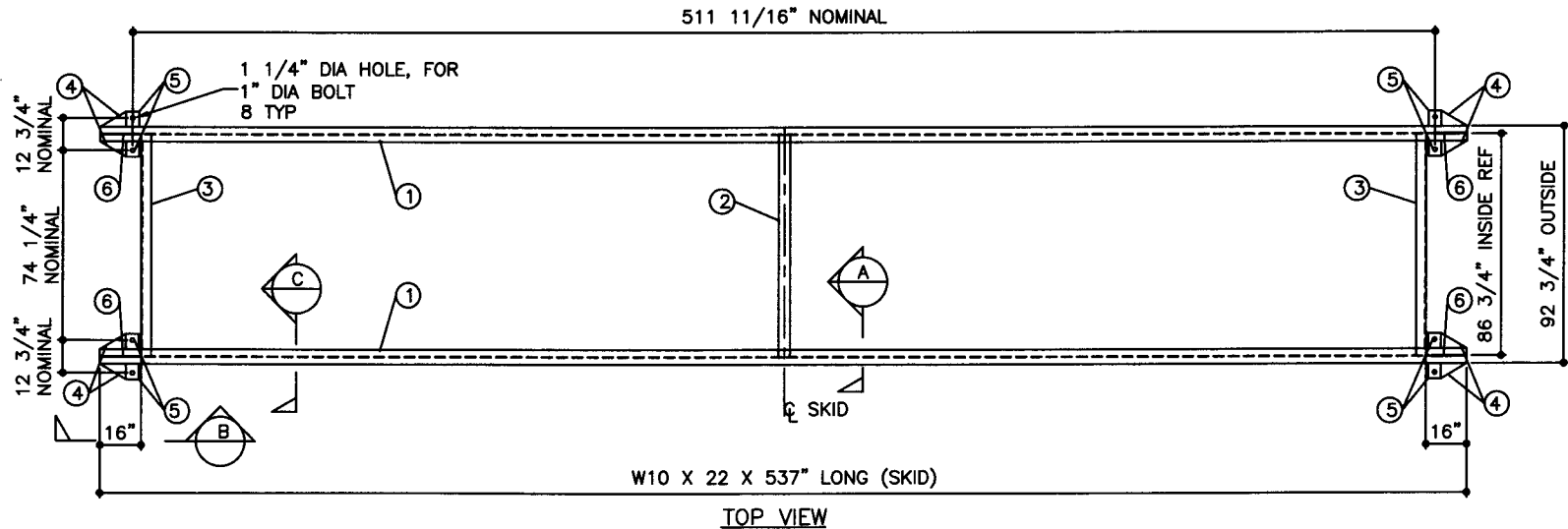
01-01-02 SUPERCEDES 09-01-01

DRW BY  
REV No  
SHEET  
OF

# BILL OF MATERIAL

ITEM	QTY	NAME	DESCRIPTION	MATL	PART No.	NOTES
1	2	SKID BEAM	W10 X 22 X 537" LONG	A36	-	MOUNT, COAT
2	1	SKID CROSS BRACE	4" SCH. 40 PIPE X 86 3/4" LONG	A36	-	MOUNT, COAT
3	2	SKID CROSS BRACE	L4 X 4 X 3/8 X 86 3/4" LONG TOE DOWN COPE ENDS	A36	-	MOUNT, COAT
4	-	SKID CAP	PLATE	A36	-	SEE DTL SHT
5	-	SEISMIC HOLDDOWN	PLATE	A36	-	SEE DTL SHT
6	-	TOW EYE	PLATE	A36	-	SEE DTL SHT

NOTE:  
1. ALL NOMINAL DIMENSIONS ARE 3"±



P.O. Box 9039  
Seattle, WA 98109-0039

JOB ID No.	TOLERANCES	QUANTITY	PART NAME	SKID DETAILS	No.	DRAWING / REVISION	DRAWN BY	CHECKED BY	SHEET
-	SKID	1	-	-	1	1ST SUBMITTAL	-	-	OF
ACE HOUSE PAPER No.	OVERALL LENGTH -1/4" / +1/4"				-	-	-	-	
ENG. FILE No.	OVERALL WIDTH -1/4" / +1/4"				-	-	-	-	
-	OVERALL HEIGHT -1/4" / +1/4"		ACE PART No.	AC20000U2D2	-	-	-	-	
-	OTHER DIMENSIONS -1/8" / +1/8"		(1:48)						
						01-01-01 SUPERCEDES			