

**ELEVATION - END VIEW**

**ELEVATION - SIDE VIEW**

**ELEVATION - END VIEW**

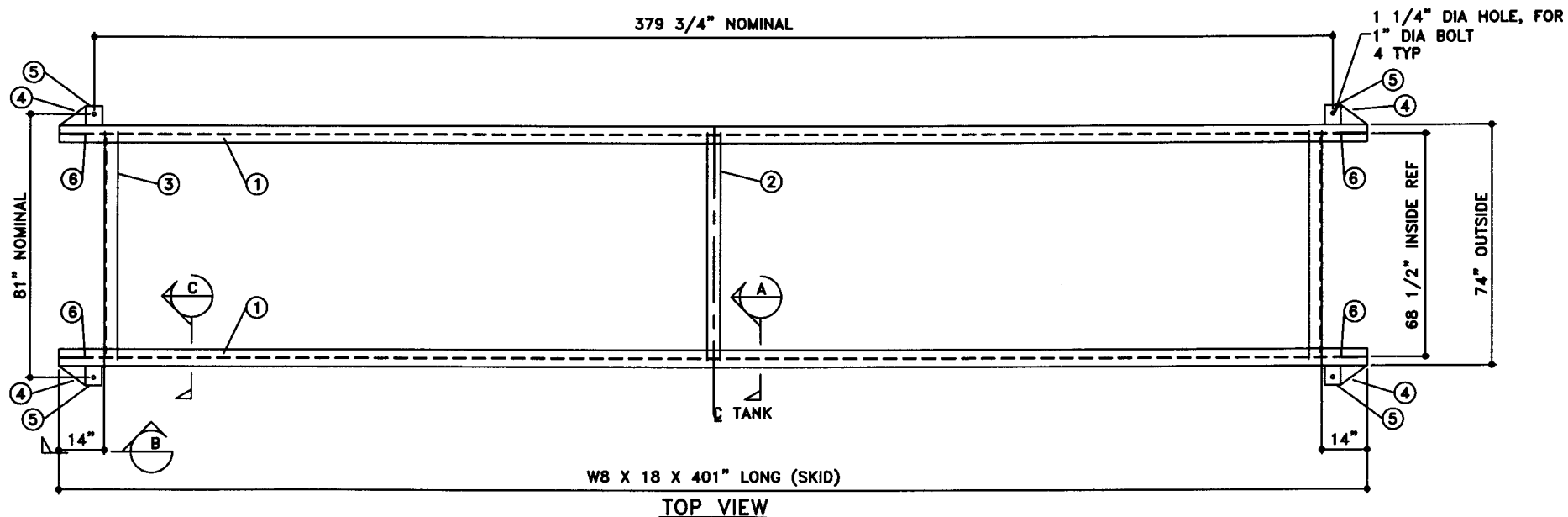
<b>TOLERANCES</b> TANK CAPACITY -0% / +10 OVERALL LENGTH -0" / +2" OVERALL WIDTH -0" / +1" OVERALL HEIGHT -1/2" / +1/2" OTHER DIMENSIONS -1/4" / +1/4"		UL 142 (BUILT & LABELED) HOLDDOWNS ARE SEISMIC RATED DIKE TANK WITH SKID		STEEL: ASTM A36 PRIMARY TANK SHELL: 2 GAUGE (1/4") HEAD: 2 GAUGE (1/4")  DIKE TANK FLOOR: 6 GAUGE (3/16") WALL: 10 GAUGE (9/64") COWLING: 10 GAUGE (9/64")		COATING: "R" EXTERIOR COATING, ACE 1A RED SHOP COAT 1-3 MILS  "A" EXTERIOR ACE 3A COATING: SP-6 GRIT BLAST 3A COLOR: #WH01 (WHITE) 1 CT TN-161 EPOXY 3.0-5.0 MILS 1 CT TN-74 URETHANE 2.0-3.0 MILS TDFT 5.0-8.0 MILS		SPECIAL INSTRUCTIONS PLUG TIGHT WRENCH PLUG TIGHT WITH PIPE DOPE ON THREADS AND TESTED LEAK FREE.  STIFFENERS ARE NOT SHOWN IN ELEVATION VIEWS FOR CLARITY		APPROXIMATE SHIPPING WEIGHT 16,950 LBS.  TANK VENT CAPACITY 392,000 PRIMARY		DRW BY - REV No 1  SHEET 2  OF -
1-208-281-5000 <b>AceDike - 10,000 GALLON</b>		ACE PART No. AC10000U2D2 QTY: 1		INTERIOR: BARE STEEL		STIFFENERS ARE NOT SHOWN IN ELEVATION VIEWS FOR CLARITY		JOB ID No. - ACE HOUSE PAPER No. - ENG. FILE No. - 01-01-02 SUPERCEDES 09-01-01		SHEET 2  OF -		



NOTE:  
1. ALL NOMINAL DIMENSIONS ARE 3"±

## BILL OF MATERIAL

ITEM	QTY	NAME	DESCRIPTION	MATL	PART No.	NOTES
1	2	SKID BEAM	W8 X 18 X 401" LONG	A36	-	MOUNT, COAT
2	1	SKID CROSS BRACE	4" SCH 40 PIPE X 68 1/2" LONG	A36	-	MOUNT, COAT
3	2	SKID CROSS BRACE	L4 X 4 X 3/8 X 68 1/2" LONG TOE DOWN COPE ENDS	A36	-	MOUNT, COAT
4	-	SKID CAP	PLATE	A36	-	SEE DTL SHT
5	-	SEISMIC HOLDDOWN	PLATE	A36	-	SEE DTL SHT
6	-	TOW EYE	PLATE	A36	-	SEE DTL SHT



JOB ID No.	TOLERANCES
-	<b>SKID</b>
ACE HOUSE PAPER No.	OVERALL LENGTH -1/4" / +1/4"
-	OVERALL WIDTH -1/4" / +1/4"
EMGG. FILE No.	OVERALL HEIGHT -1/4" / +1/4"
-	OTHER DIMENSIONS -1/8" / +1/8"

QUANTITY	PART NAME
<b>1</b>	<b>SKID DETAILS</b>
	ACE PART No. AC10000U2D2
	(1:32)

No.	DRAWING / REVISION	DRAWN BY	CHECKED BY	SHEET
1	1ST SUBMITTAL	-	-	OF
-	-	-	-	
-	-	-	-	
-	-	-	-	

01-01-01 SUPERCEDES