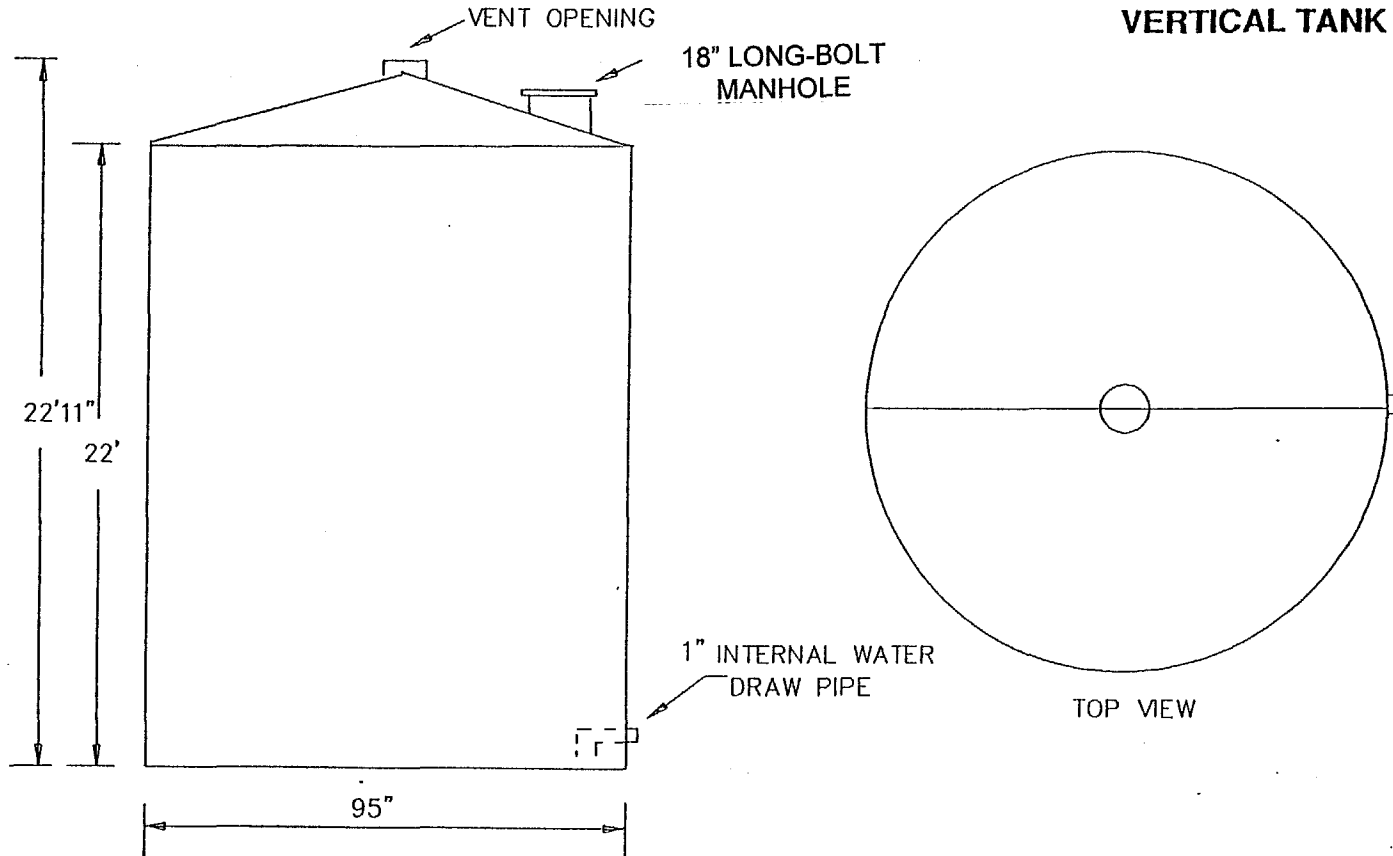


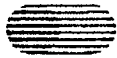
**8000 GALLON TANK**  
 Part Number AC08000U1V1

**VERTICAL TANK**



Weight 5175  
 Bottom gauge 2  
 Shell gauge 6  
 Roof gauge 10

**NOTICE**  
 THIS PRINT AND THE INFORMATION CONTAINED HEREIN IS PROPRIETARY TO ACE TANK & EQUIPMENT CO. AND SHALL NOT BE REPRODUCED OR DISCLOSED IN WHOLE OR IN PART, NOR USED FOR ANY DESIGN OR MANUFACTURING PURPOSES, UNLESS AUTHORIZED IN WRITING BY ACE TANK & EQUIPMENT CO.

 <b>ACE TANK &amp; EQUIPMENT CO.</b> SEATTLE PORTLAND HAYWARD		
FOR:		
JOB:		
NOT TO SCALE	<input type="checkbox"/> REQUIRED	
INVOICE #	DATE	SALESPERSON

Standard openings include an 18" springloaded manhole, 2" vent opening and up to five female threaded openings 4" or smaller.

**Please specify exact size and locations of openings desired, including manhole.**

UL-142 listed.

Standard exterior coating is red iron oxide      Custom coatings and paints are available.

*Drawing not to scale. Weights & measurements are approximate.*

\_\_\_\_\_  
 CUSTOMER APPROVAL SIGNATURE