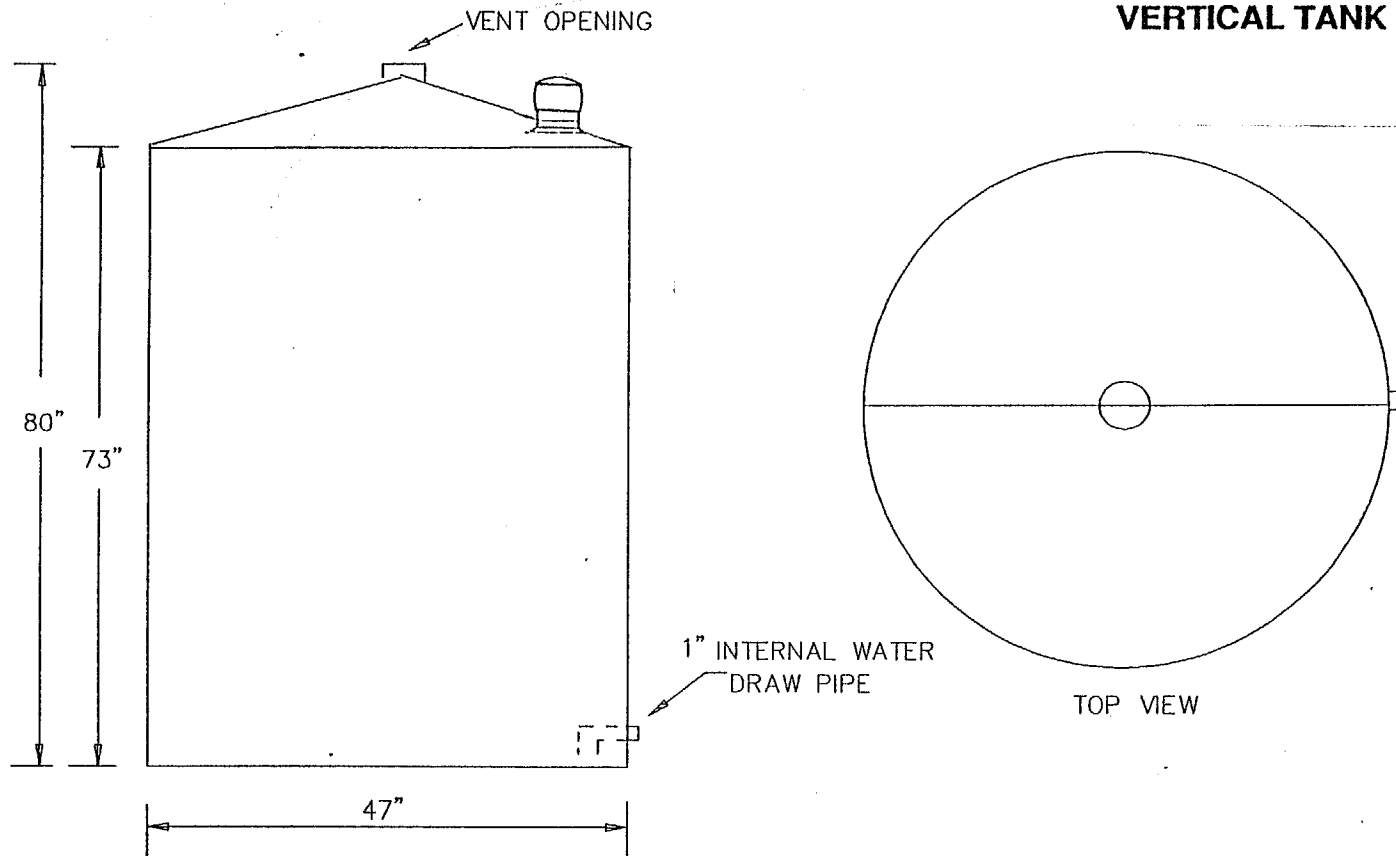


550 GALLON TANK
 Part Number AC00550U1V1

VERTICAL TANK




Weight 535
 Bottom gauge 12
 Shell gauge 12
 Roof gauge 12

NOTICE
 THIS PRINT AND THE INFORMATION CONTAINED HEREIN IS PROPRIETARY TO ACE TANK & EQUIPMENT CO. AND SHALL NOT BE REPRODUCED OR DISCLOSED IN WHOLE OR IN PART, NOR USED FOR ANY DESIGN OR MANUFACTURING PURPOSES, UNLESS AUTHORIZED IN WRITING BY ACE TANK & EQUIPMENT CO.

Standard openings include a 2" vent opening and up to five female threaded openings 4" or smaller.
Please specify exact size and locations of openings desired,
 UL-142 listed.

Standard exterior coating is red iron oxide Custom coatings and paints are available.

Drawing not to scale. Weights & measurements are approximate.

 ACE TANK & EQUIPMENT CO. SEATTLE PORTLAND HAYWARD		
FOR:		
JOB:		
NOT TO SCALE	<input type="radio"/> REQUIRED	
INVOICE #	DATE	SALESPERSON

 CUSTOMER APPROVAL SIGNATURE