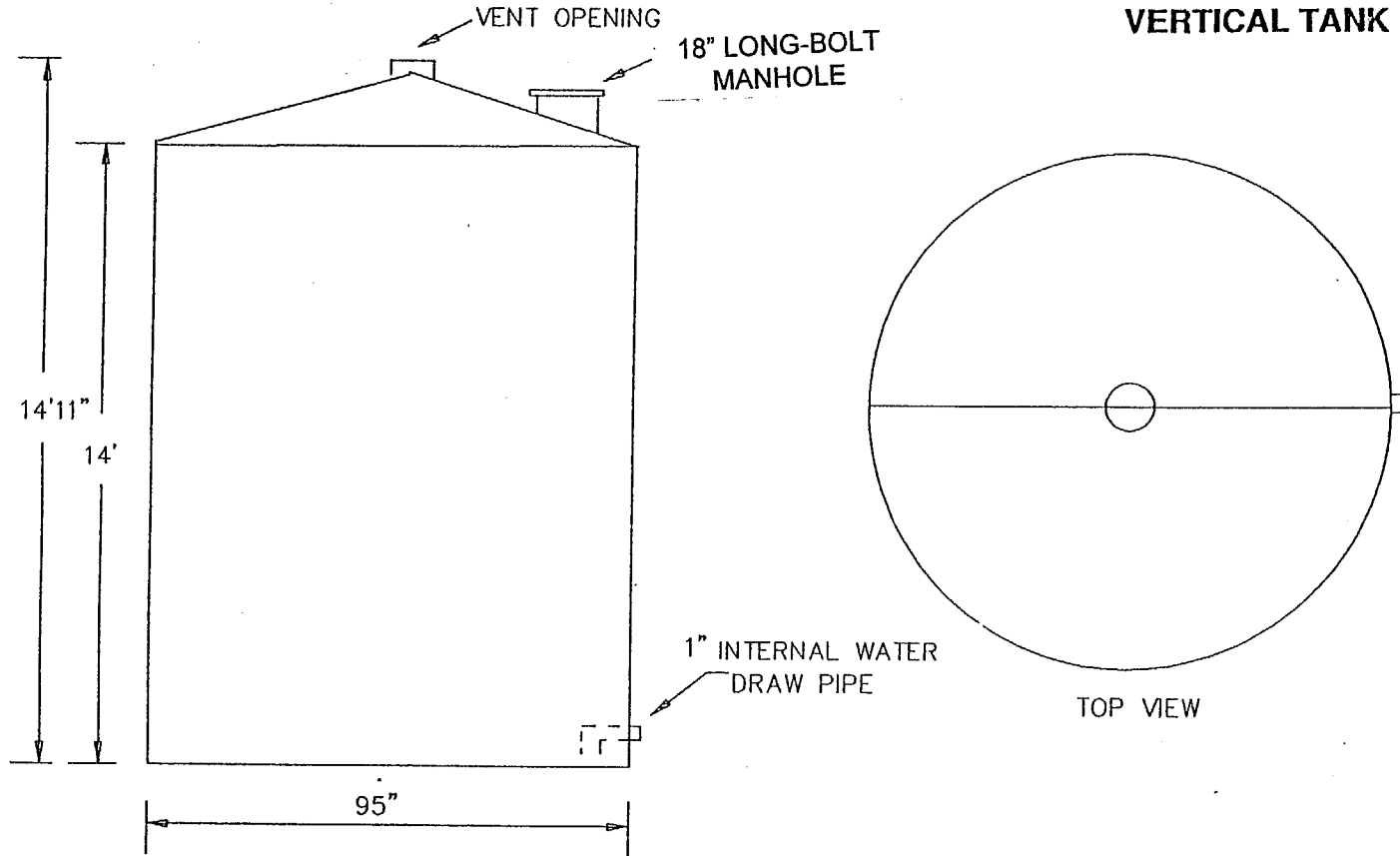


**5000 GALLON TANK**  
Part Number AC05000U1V1

**VERTICAL TANK**



Weight 3625  
Bottom gauge 2  
Shell gauge 6  
Roof gauge 10

**NOTICE**  
THIS PRINT AND THE INFORMATION CONTAINED HEREIN IS PROPRIETARY TO ACE TANK & EQUIPMENT CO. AND SHALL NOT BE REPRODUCED OR DISCLOSED IN WHOLE OR IN PART, NOR USED FOR ANY DESIGN OR MANUFACTURING PURPOSES, UNLESS AUTHORIZED IN WRITING BY ACE TANK & EQUIPMENT CO.

Standard openings include an 18" springloaded manhole, 2" vent opening and up to five female threaded openings 4" or smaller.

**Please specify exact size and locations of openings desired, including manhole.**

UL-142 listed.

Standard exterior coating is red iron oxide. Custom coatings and paints are available.

*Drawing not to scale. Weights & measurements are approximate.*

**ACE TANK & EQUIPMENT CO.**  
SEATTLE PORTLAND HAYWARD

FOR:

JOB:

NOT TO SCALE



REQUIRED

INVOICE #

DATE

SALESPERSON

CUSTOMER APPROVAL SIGNATURE