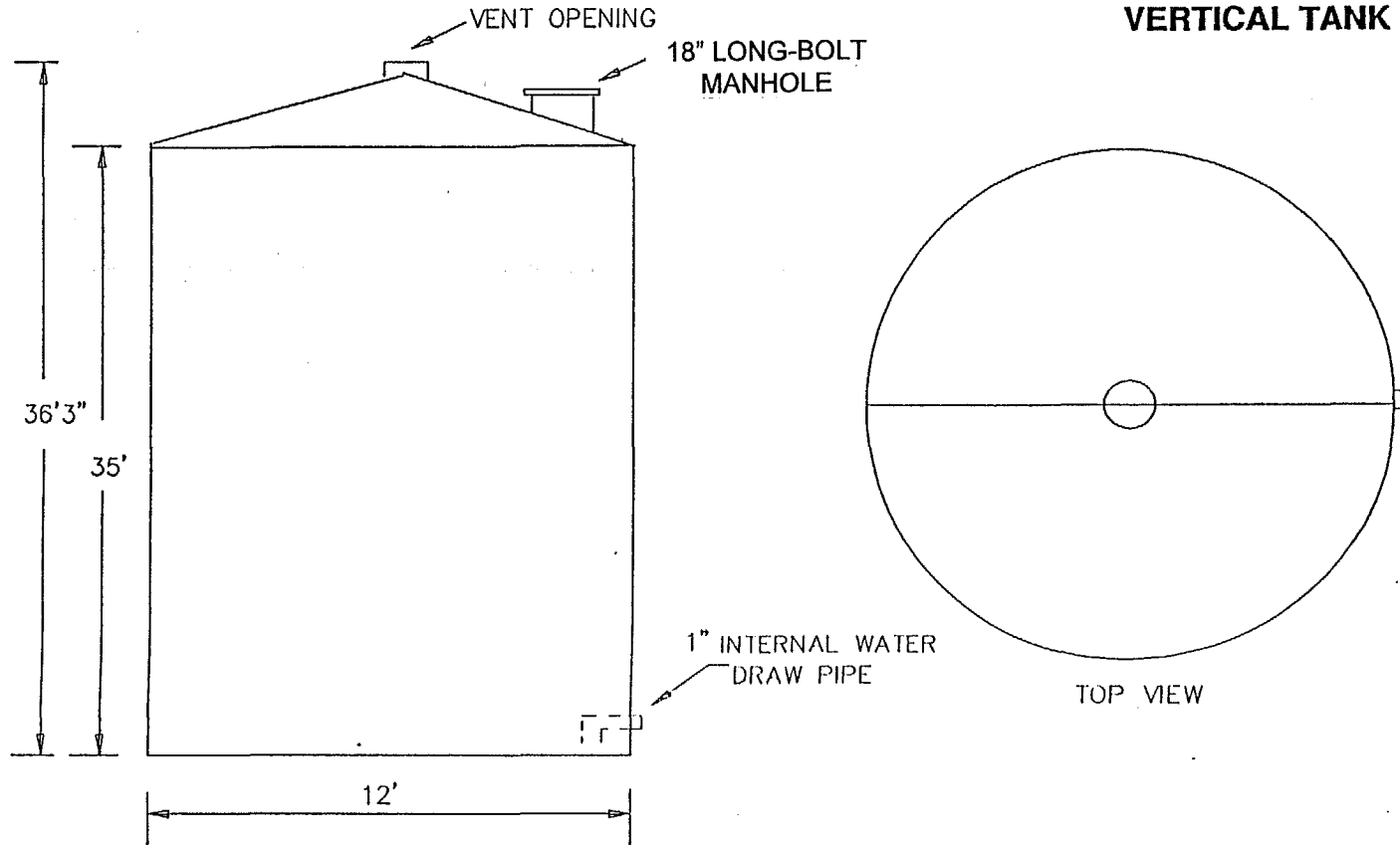


29,600 GALLON TANK

Part Number AC29600U1V1

VERTICAL TANK



Weight 13,045
Bottom gauge 2
Shell gauge* 6
Roof gauge 10

NOTICE
THIS PRINT AND THE INFORMATION CONTAINED HEREIN IS PROPRIETARY TO ACE TANK & EQUIPMENT CO. AND SHALL NOT BE REPRODUCED OR DISCLOSED IN WHOLE OR IN PART, NOR USED FOR ANY DESIGN OR MANUFACTURING PURPOSES, UNLESS AUTHORIZED IN WRITING BY ACE TANK & EQUIPMENT CO.

Standard openings include an 18" springloaded manhole, 3" vent opening and up to five female threaded openings 4" or smaller.

Please specify exact size and locations of openings desired, including manhole.

UL-142 listed.

Standard exterior coating is red iron oxide. Custom coatings and paints are available.

* For 20,000 gallons and above, the top 25' of the shell is 6 gauge and the remainder is 2 gauge.

Drawing not to scale. Weights & measurements are approximate.



**ACE TANK &
EQUIPMENT CO.**

SEATTLE PORTLAND HAYWARD

FOR:

JOB:

NOT TO SCALE



REQUIRED

INVOICE #

DATE

SALESPERSON

CUSTOMER APPROVAL SIGNATURE