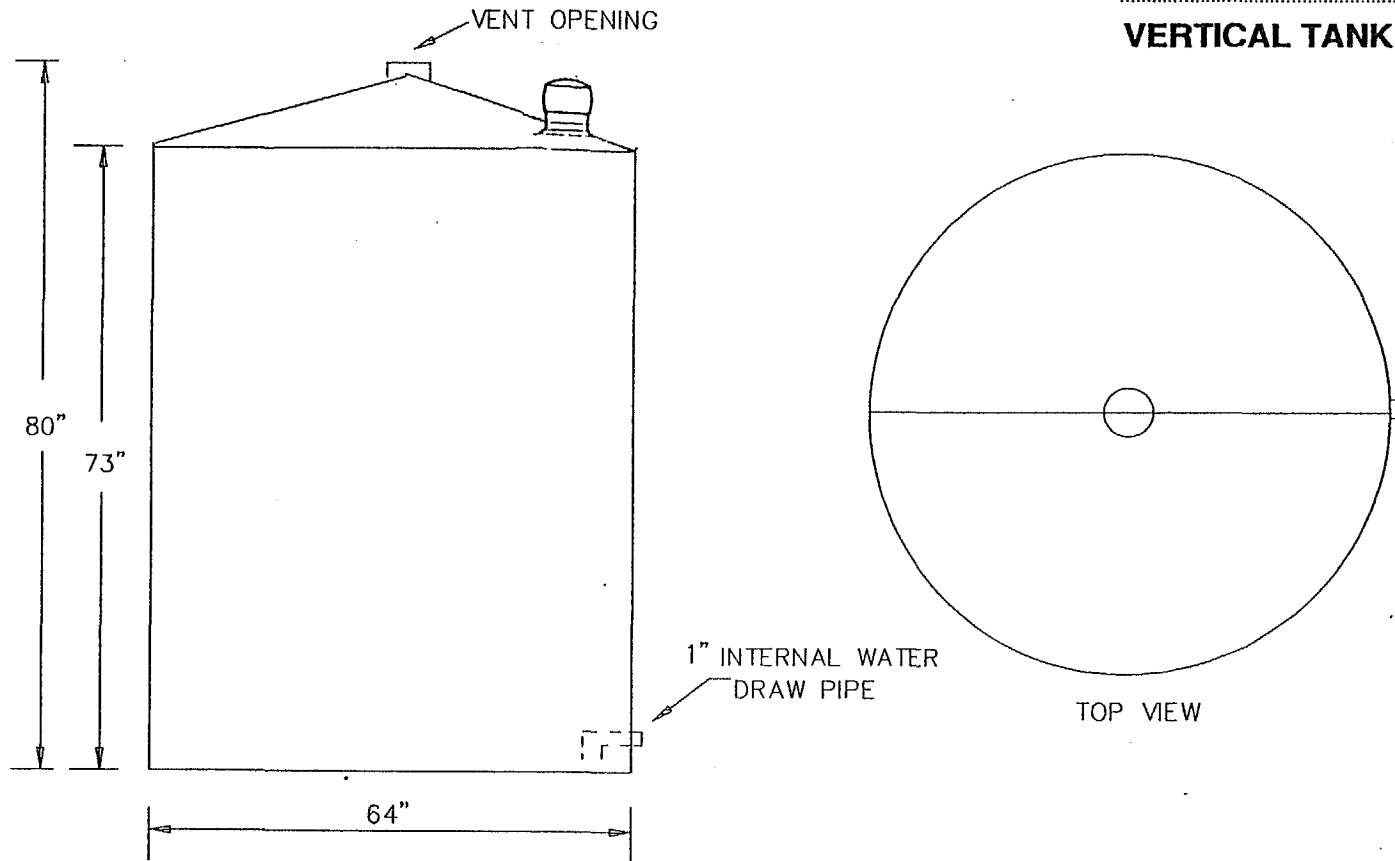
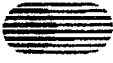


**1000 GALLON TANK**  
Part Number AC01000U1V1

**VERTICAL TANK**



**NOTICE**  
THIS PRINT AND THE INFORMATION CONTAINED HEREIN IS PROPRIETARY TO ACE TANK & EQUIPMENT CO. AND SHALL NOT BE REPRODUCED OR DISCLOSED IN WHOLE OR IN PART, NOR USED FOR ANY DESIGN OR MANUFACTURING PURPOSES, UNLESS AUTHORIZED IN WRITING BY ACE TANK & EQUIPMENT CO.

|   |                                |             |
|---|--------------------------------|-------------|
|  <b>ACE TANK &amp; EQUIPMENT CO.</b><br>SEATTLE PORTLAND HAYWARD |                                |             |
| FOR:  |                                |             |
| JOB:  |                                |             |
| NOT TO SCALE  | <input type="radio"/> REQUIRED |             |
| INVOICE #   | DATE                           | SALESPERSON |

Weight 875  
Bottom gauge 10  
Shell gauge 10  
Roof gauge 12

Standard openings include a 2" vent opening and up to five female threaded openings 4" or smaller.

**Please specify exact size and locations of openings desired, including manhole.**

UL-142 listed.

Standard exterior coating is red iron oxide Custom coatings and paints are available.

*Drawing not to scale. Weights & measurements are approximate.*

CUSTOMER APPROVAL SIGNATURE