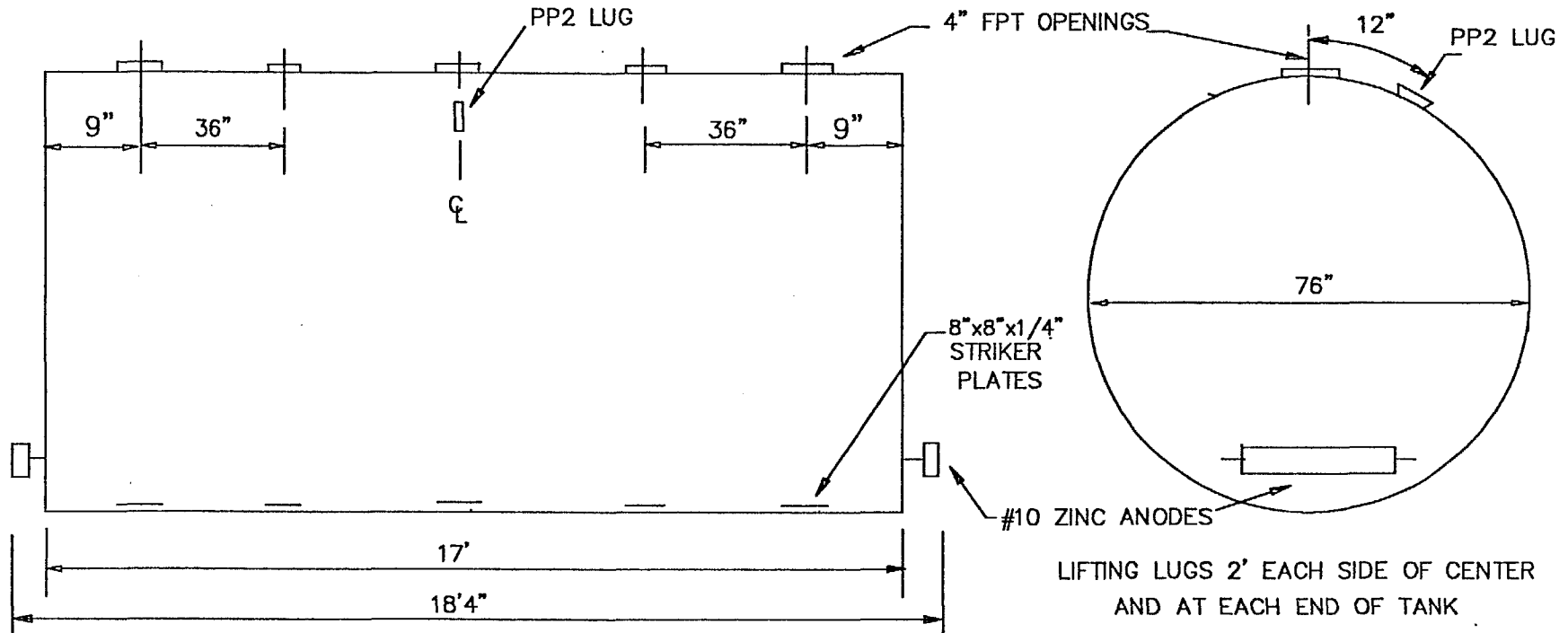


sti-P₃®

4,000 GALLON TANK

Part Number AC04000U1P1



Weight 3,580 lbs. _____

Shell Thickness 6 gauge _____

Head Thickness 6 gauge _____

NOTICE

THIS PRINT AND THE INFORMATION CONTAINED HEREIN IS PROPRIETARY TO ACE TANK & EQUIPMENT CO. AND SHALL NOT BE REPRODUCED OR DISCLOSED IN WHOLE OR IN PART, NOR USED FOR ANY DESIGN OR MANUFACTURING PURPOSES, UNLESS AUTHORIZED IN WRITING BY ACE TANK & EQUIPMENT CO.

 **ACE TANK & EQUIPMENT CO.**
SEATTLE PORTLAND HAYWARD

FOR: _____

JOB: _____

NOT TO SCALE REQUIRED

INVOICE #	DATE	SALESPERSON
-----------	------	-------------

Openings are female NPT and are bushed to size indicated by using nylon bushings per sti-P₃® specs.
 Before coating, tank shall be tested and proved tight under a test pressure between 5 and 7 psi.
 Exterior coating per sti-P₃® specs.
 Tanks shall be built in accordance with UL-58 specifications and shall bear the UL and sti-P₃® labels.

Drawing not to scale. Weights & measurements are approximate.

CUSTOMER APPROVAL SIGNATURE