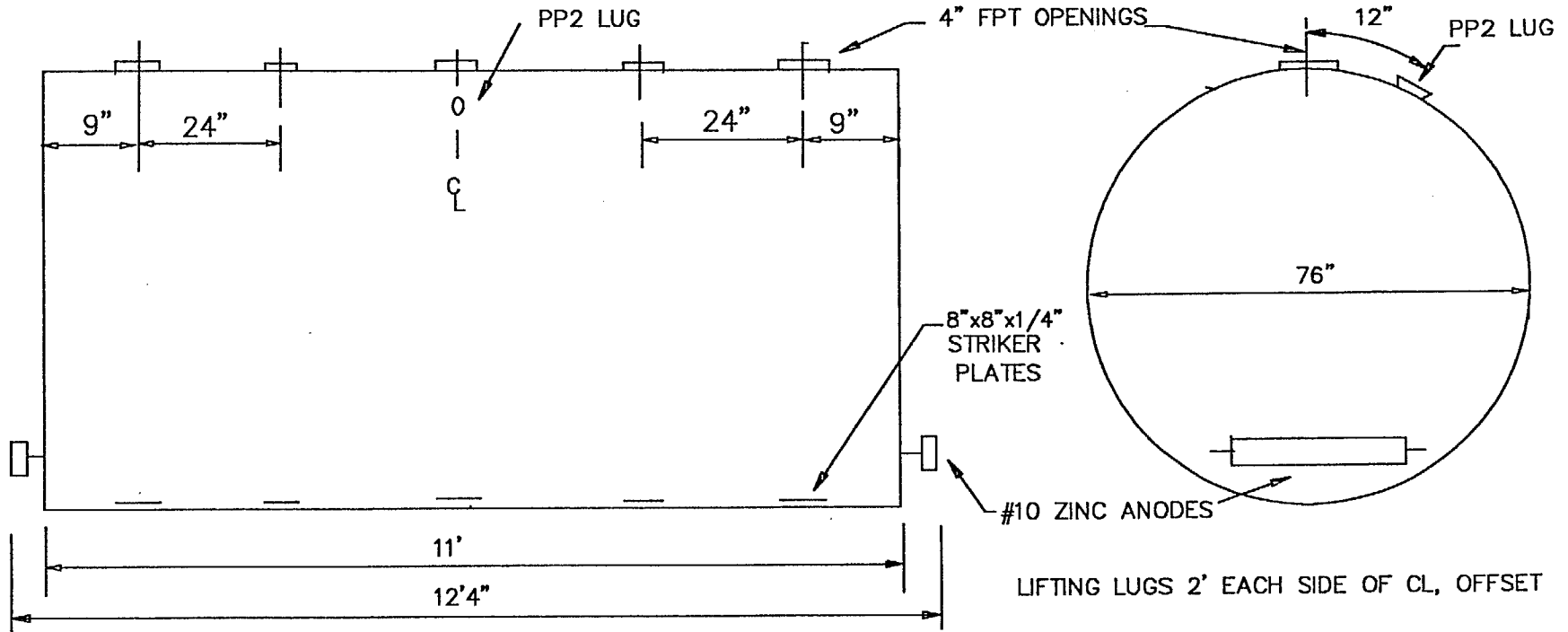


sti-P₃®

2,500 GALLON TANK
Part Number AC02500U1P1




Weight 2,260 lbs.
Shell Thickness 6 gauge
Head Thickness 6 gauge

NOTICE
THIS PRINT AND THE INFORMATION CONTAINED HEREIN IS PROPRIETARY TO ACE TANK & EQUIPMENT CO. AND SHALL NOT BE REPRODUCED OR DISCLOSED IN WHOLE OR IN PART, NOR USED FOR ANY DESIGN OR MANUFACTURING PURPOSES, UNLESS AUTHORIZED IN WRITING BY ACE TANK & EQUIPMENT CO.

Openings are female NPT and are bushed to size indicated by using nylon bushings per sti-P₃® specs.
Before coating, tank shall be tested and proved tight under a test pressure between 5 and 7 psi.
Exterior coating per sti-P₃® specs.
Tanks shall be built in accordance with UL-58 specifications and shall bear the UL and sti-P₃® labels.

Drawing not to scale. Weights & measurements are approximate.

 ACE TANK & EQUIPMENT CO. SEATTLE PORTLAND HAYWARD		
FOR:		
JOB:		
NOT TO SCALE	<input type="checkbox"/>	REQUIRED
INVOICE #	DATE	SALESPERSON

CUSTOMER APPROVAL SIGNATURE