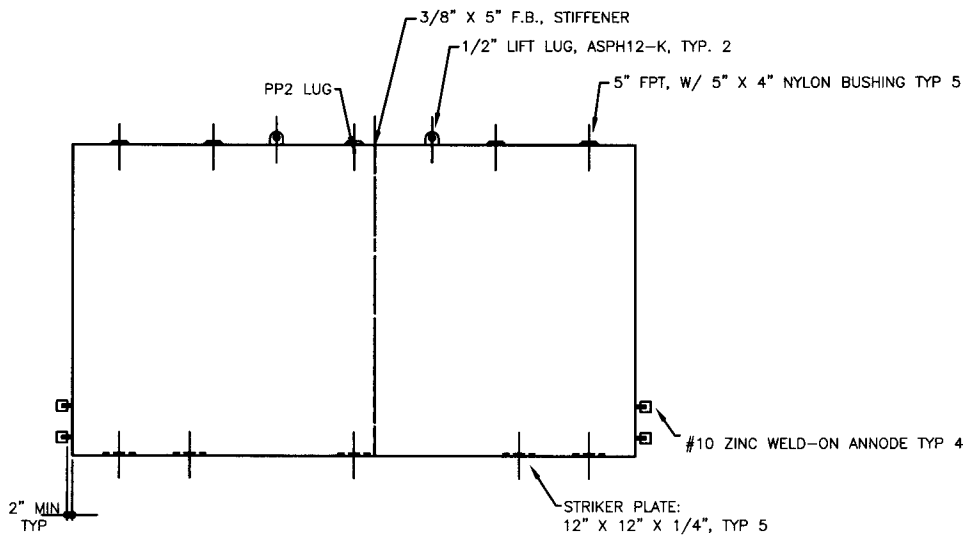
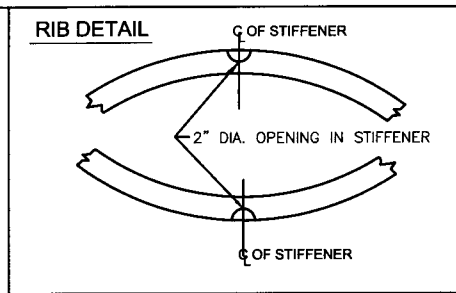
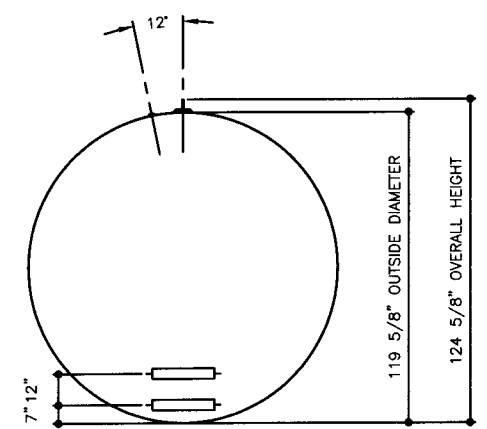


TOP VIEW



ELEVATION - SIDE VIEW



ELEVATION - END VIEW

TOLERANCES	
TANK	
CAPACITY	-0% / +10
OVERALL LENGTH	-0' / +2"
OVERALL WIDTH	-0' / +1"
OVERALL HEIGHT	-1/2" / +1/2"
OTHER DIMENSIONS	-1/4" / +1/4"

UL, 1746 (BUILT & LABELED)
 ST1, P3 (BUILT & LABELED)
 SINGLE WALL

STEEL: ASTM A36
 PRIMARY TANK
 SHELL: 6 GAUGE (3/16")
 HEAD: 2 GAUGE (1/4")

COATING:
 INTERIOR:
 BARE STEEL
 EXTERIOR:
 SP-6 SANDBLAST
 KOPPERS 300M COAL TAR EPOXY 16 MIL MIN

SPECIAL INSTRUCTIONS
 LABELS ON EDGE
 DRY PLUG FITTINGS
 SCRAPE OUTSIDE SPATTER
 SEAL WELD FOR SPECIAL
 COATING OR SAND BLASTING

APPROXIMATE SHIPPING WEIGHT
 7875 LBS.

DRW BY
 -
 REV No
 1
 SHEET
 2
 OF
 -



Sti-P3 - 10,000 GALLON
 "STUBBY"

ACE PART No. AC10001U1P1B QTY: 1

(F:111ACSHOPIST1-P3IU1P11100012-ORTHO.GCD-1:48)

STRIKER PLATE:
 12" X 12" X 1/4", TYP 5

SURFACE AREA: 700.2 SQUARE FEET

ACE HOUSE PAPER No. -
 ENG. FILE No. -

1-22-99 SUPERCEDES 12-2-97