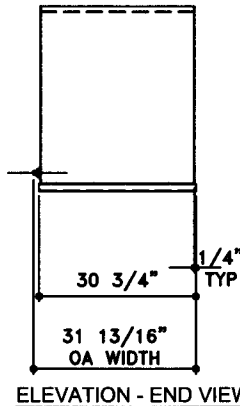
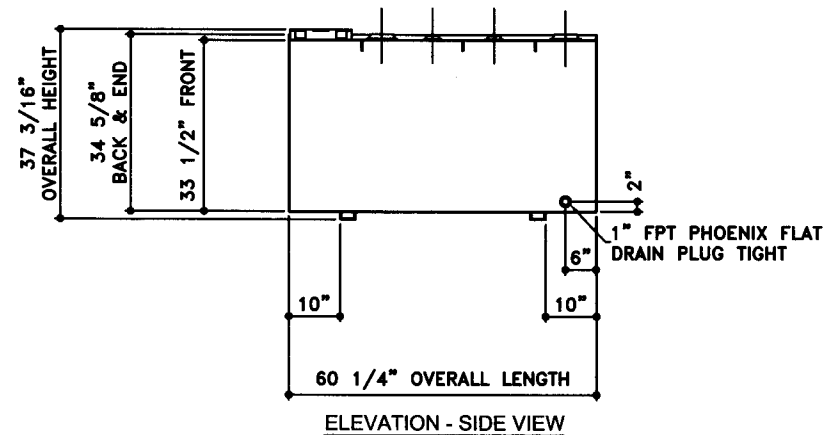
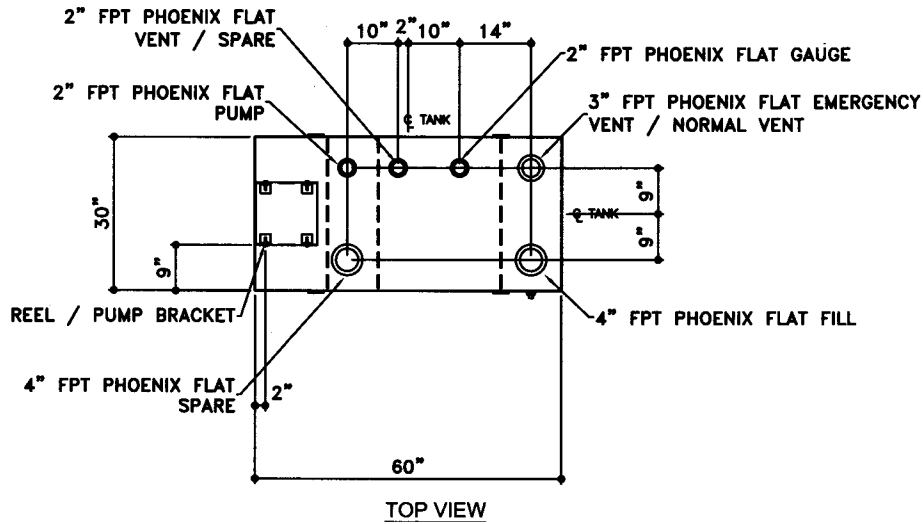


NOTE:
ALL TANK DIMENSIONS ARE INSIDE TO INSIDE



TOLERANCES TANK	
CAPACITY	-0% / +10
OVERALL LENGTH	-0' / +1/2"
OVERALL WIDTH	-0' / +1/2"
OVERALL HEIGHT	-0' / +1/2"
OTHER DIMENSIONS	-1/4" / +1/4"

UL 142 (BUILT & LABELED)
DOUBLE WALL WALL TANK
SEISMIC ZONE 4
RECTANGLE TANK

STEEL: ASTM A36
TANK
TOP: 10 GAUGE (9/64")
SIDE WALL: 12 GAUGE (7/64")
END WALL: 12 GAUGE (7/64")
BOTTOM: 10 GAUGE (9/64")

COATING:
"G" EXTERIOR COATING, ACE 1E
GRAY SHOP COAT 1-3 MILS
"A" EXTERIOR ACE 3A COATING:
SP-6 GRIT BLAST
3A COLOR: #WH01 (WHITE)
1 CT TN-161 EPOXY 3.0-5.0 MILS
1 CT TN-74 URETHANE 2.0-3.0 MILS
TDFT 5.0-8.0 MILS

SPECIAL INSTRUCTIONS
PLUG TIGHT
WRENCH PLUG TIGHT WITH PIPE DOPE
ON THREADS AND TESTED LEAK FREE.

APPROXIMATE SHIPPING WEIGHT
300 LBS
TANK VENT CAPACITY
63,200 PRIMARY

DRW BY
REV No
1
SHEET
1
OF



Ace BenchTop - 250 GALLON

ACE PART No. AC00250U1R3 QTY: 1

(F:111ACSHOPIRECTANGLU1R310025012-ORTH.GCD-1:16)

INTERIOR:
BARE STEEL

INTERIOR:
BARE STEEL

JOB ID No. - ACE HOUSE PAPER No. - ENG. FILE No. -

01-01-02 SUPERCEDES 09-01-01

JOB ID No. - ACE HOUSE PAPER No. - ENG. FILE No. -

01-01-02 SUPERCEDES 09-01-01