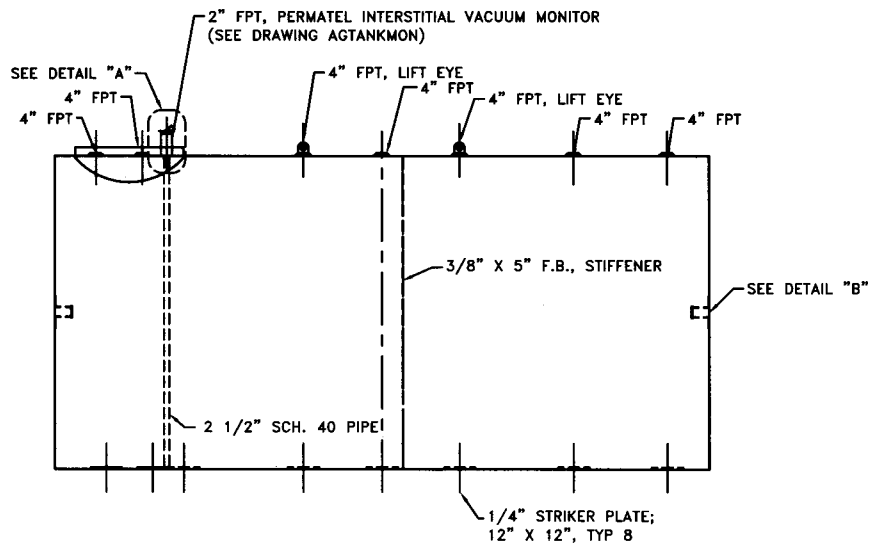
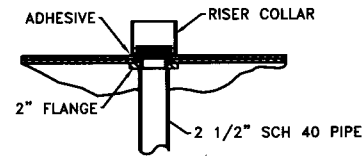


TOP VIEW

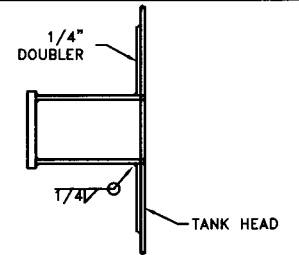


ELEVATION - END VIEW

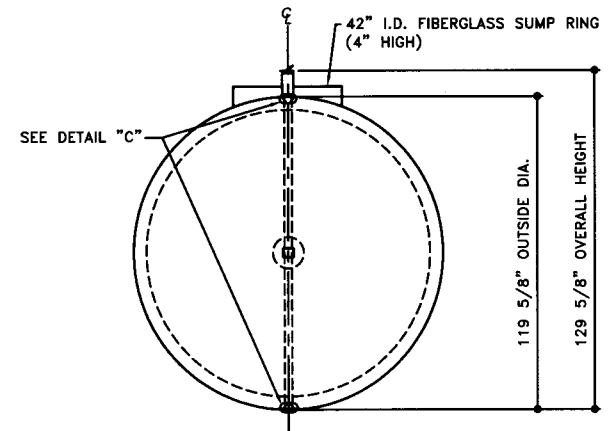
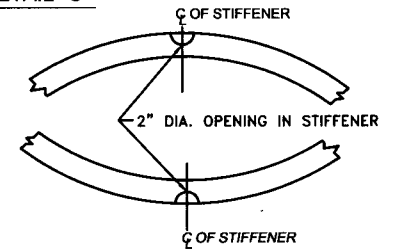
DETAIL "A"



DETAIL "B"



DETAIL "C"



ELEVATION - END VIEW

SERIAL NUMBER AZ0958 AND GREATER

TOLERANCES	
TANK	
CAPACITY	-0% / +10
OVERALL LENGTH	-0" / +2"
OVERALL WIDTH	-0" / +1"
OVERALL HEIGHT	-1/2" / +1/2"
OTHER DIMENSIONS	-1/4" / +1/4"

UL 1746 (BUILT & LABELED)
STI, PERMATANK (BUILT & LABELED)
DOUBLE WALL
PERMATANK

STEEL: ASTM A36
PRIMARY TANK
SHELL: 2 ga (1/4")
HEAD: 2 ga (1/4")

COATING:
EXTERIOR COATING
INTERSTITIAL STANDOFF-
POLYETHYLENE MESH AND
MYLAR SHEETING
FRP 100 MIL MIN

SPECIAL INSTRUCTIONS
DRY PLUG FITTINGS
SCRAPE OUTSIDE SPATTER
TANK DIMENSIONS REFER TO
STEEL PRIMARY TANK

APPROXIMATE SHIPPING WEIGHT
10,200 LBS.

DRW BY -
REV No 1
SHEET 2
OF

PERMATANK - 12,000 GALLON
"STUBBY"

ACE PART No. AC12001UZZ3C QTY:

(041498-F:1111ACSHOP/PERMA/UZZ3B/1200112-ORTHO.GCD-1:48)

ACE HOUSE PAPER No. -
ENG. FILE No. -
3-4-99 SUPERCEDES 7-21-97

