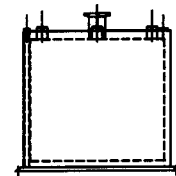
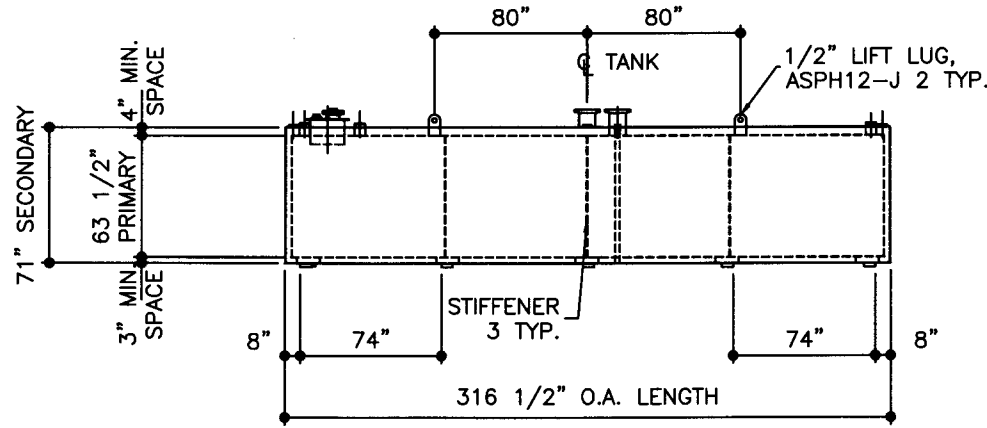
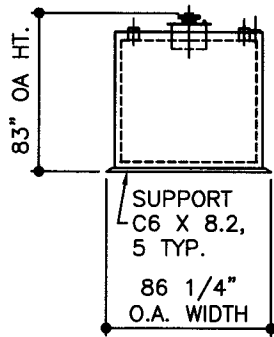
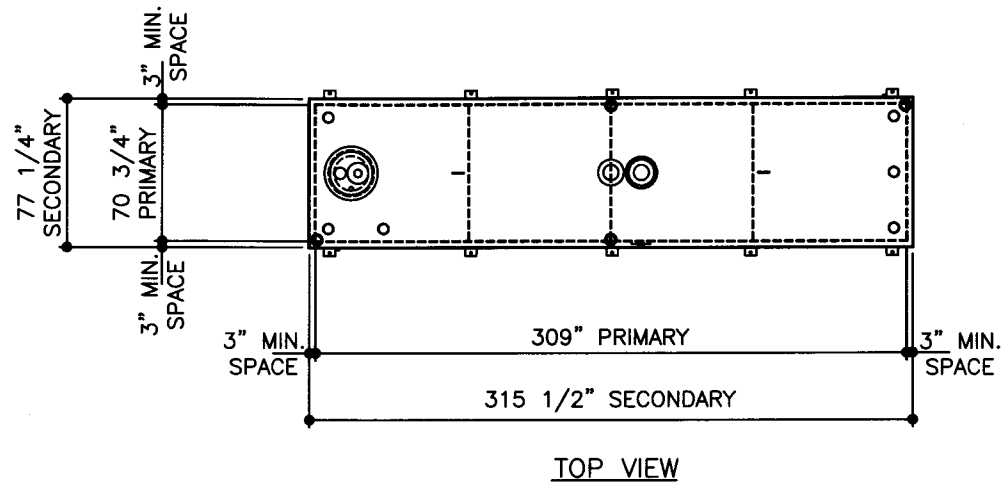


NOTE:
PRIMARY AND SECONDARY
TANK DIMENSIONS ARE
INSIDE DIMENSIONS

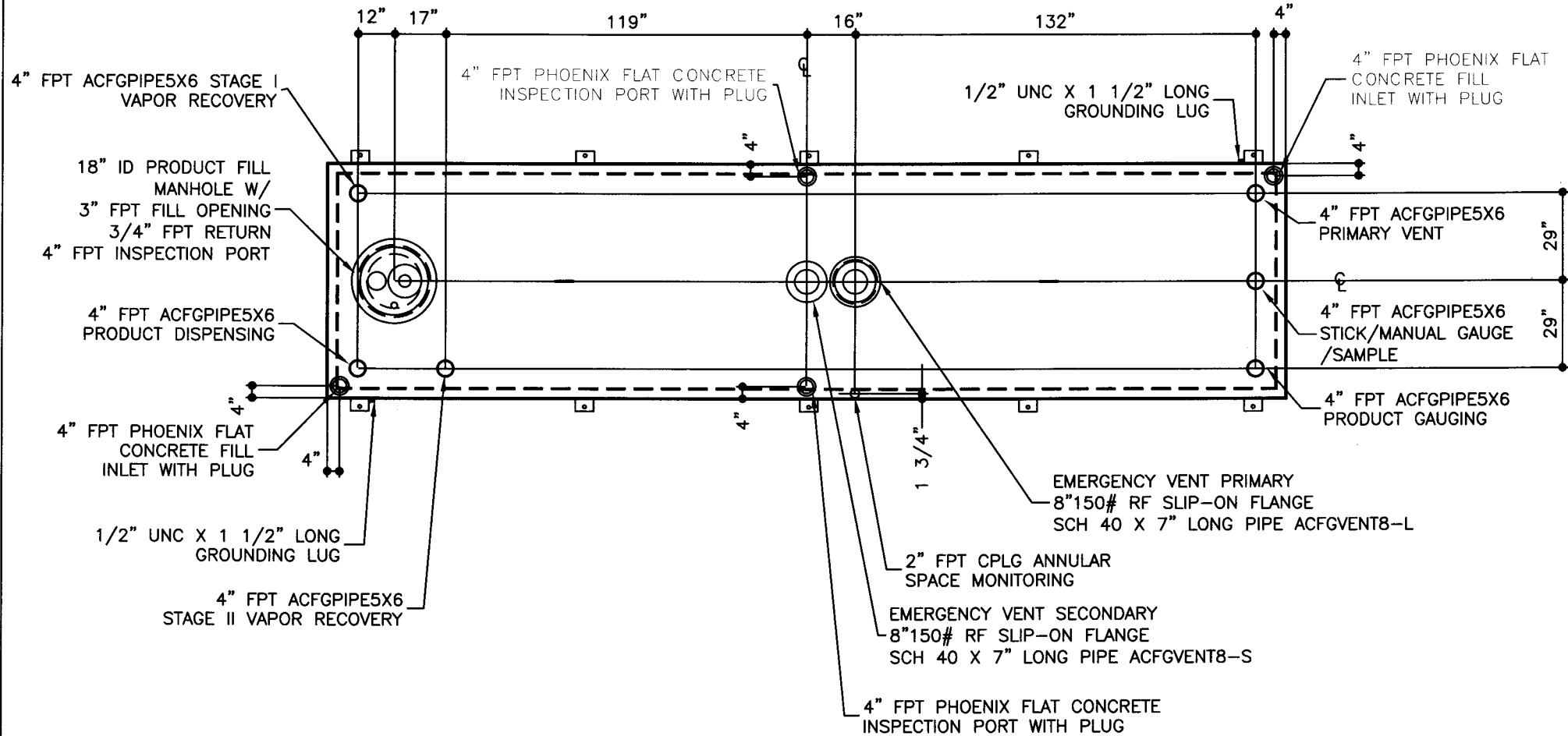


ELEVATION - END VIEW

ELEVATION - SIDE VIEW

ELEVATION - END VIEW

TOLERANCES TANK CAPACITY -0% / +10% OVERALL LENGTH -0" / +2" OVERALL WIDTH -0" / +1" OVERALL HEIGHT -1/2" / +1/2" OTHER DIMENSIONS -1/4" / +1/4"		UL 2085 (BUILT & LABELED) UL 142 (BUILT & LABELED) HOLDDOWNS ARE SEISMIC RATED DOUBLE WALL WITH 3" INSULATION RECTANGLE FIREGUARD WITH SUPPORTS		STEEL: ASTM A36 INNER TANK: TOP: 6 GAUGE (3/16") SIDE WALLS: 6 GAUGE (3/16") END WALLS: 6 GAUGE (3/16") BOTTOM: 6 GAUGE (3/16")		COATING: EXTERIOR ACE 3A COATING: SP-6 GRIT BLAST 3A COLOR: #WH01 (WHITE) 1 CT TN-161 EPOXY 3.0-5.0 MILS 1 CT TN-74 URETHANE 2.0-3.0 MILS TDFT 5.0-8.0 MILS SURFACE AREA: 780 SQUARE FEET INTERIOR: BARE STEEL SURFACE AREA: 697 SQUARE FEET		SPECIAL INSTRUCTIONS FILL ANNULAR SPACE WITH PORTLAND CEMENT / PERLITE, CEMENT GRADE MIX. LEAVE 1" AIR GAP BETWEEN PERLITE TOP & SECONDARY TANK 223 CUBIC FEET		APPROXIMATE SHIPPING WEIGHT: 21,075 LBS. WITH CEMENT 15,350 LBS. WITHOUT CEMENT TANK VENT CAPACITY 354,000 PRIMARY 392,000 SECONDARY		DRW BY - REV NO 1 SHEET 2 OF -
Acetank & Equipment 1-206-281-5000 COPYRIGHT 1997 ACE TANK & EQUIPMENT		FIREGUARD - 6,000 GALLON ACE PART No. AC06000U2G3 QTY: 1 (F:\1ACSTOCK\FIREGUARD\U2G3-3\015002-ORTHO.GCD-1.64)		OUTER TANK: TOP: 2 GAUGE (1/4") SIDE WALLS: 6 GAUGE (3/16") END WALLS: 6 GAUGE (3/16") BOTTOM: 6 GAUGE (3/16")		STIFFENER 3 TYP.		1/2" LIFT LUG, ASPH12-J 2 TYP.		01-01-02 SUPERCEDES 09-01-01		



TOP VIEW

	JOB ID No.	-	TOLERANCES	QUANTITY	PART NAME	No.	DRAWING / REVISION	DRAWN BY	CHECKED BY	SHEET
	ACE HOUSE PAPER No.	-	OPENING LAYOUT	1	6,000 GALLON RECTANGLE FIREGUARD	1	1ST SUBMITTAL	-	-	OF
	ENG. FILE No.	-	ALL DIMENSIONS - 1/4" ± 1/16"		ACE PART No.	-	-	-	-	
			32		AC06000U2G3	-	-	-	-	
				(F:11ACSHOPIFIREGUARDU2G1-3I-T:24)		01-01-02 SUPERCEDES 10-01-01				

P.O. Box 9039
Seattle, WA 98109-0039