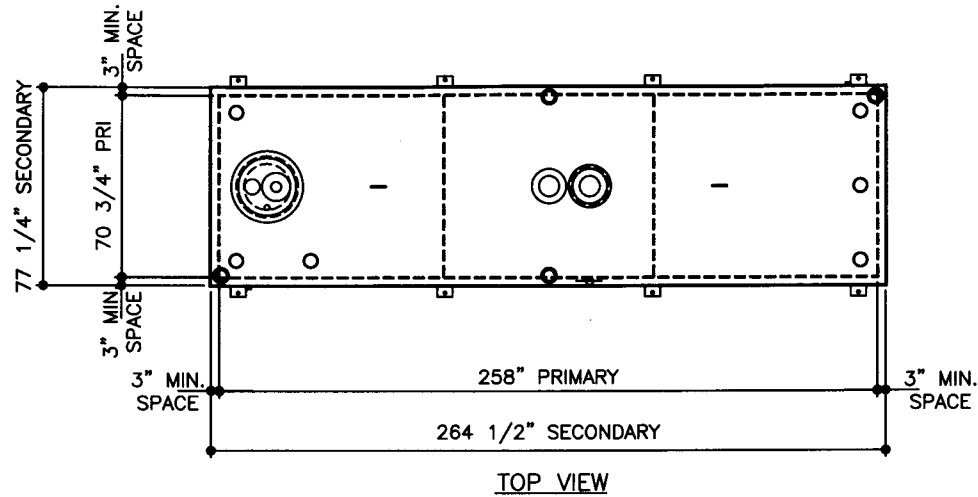
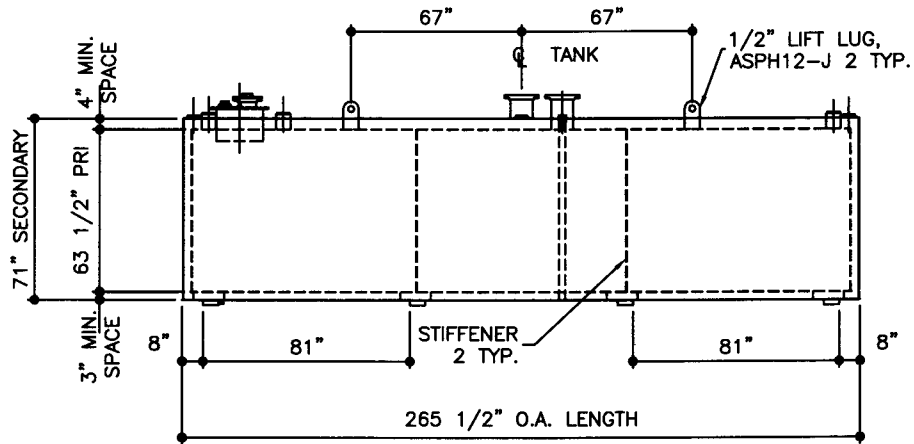


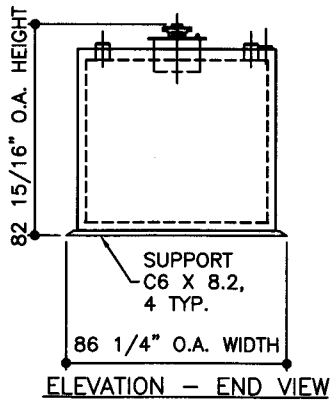
NOTE:
PRIMARY AND SECONDARY
TANK DIMENSIONS ARE
INSIDE DIMENSIONS



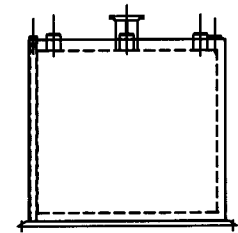
TOP VIEW



ELEVATION - SIDE VIEW

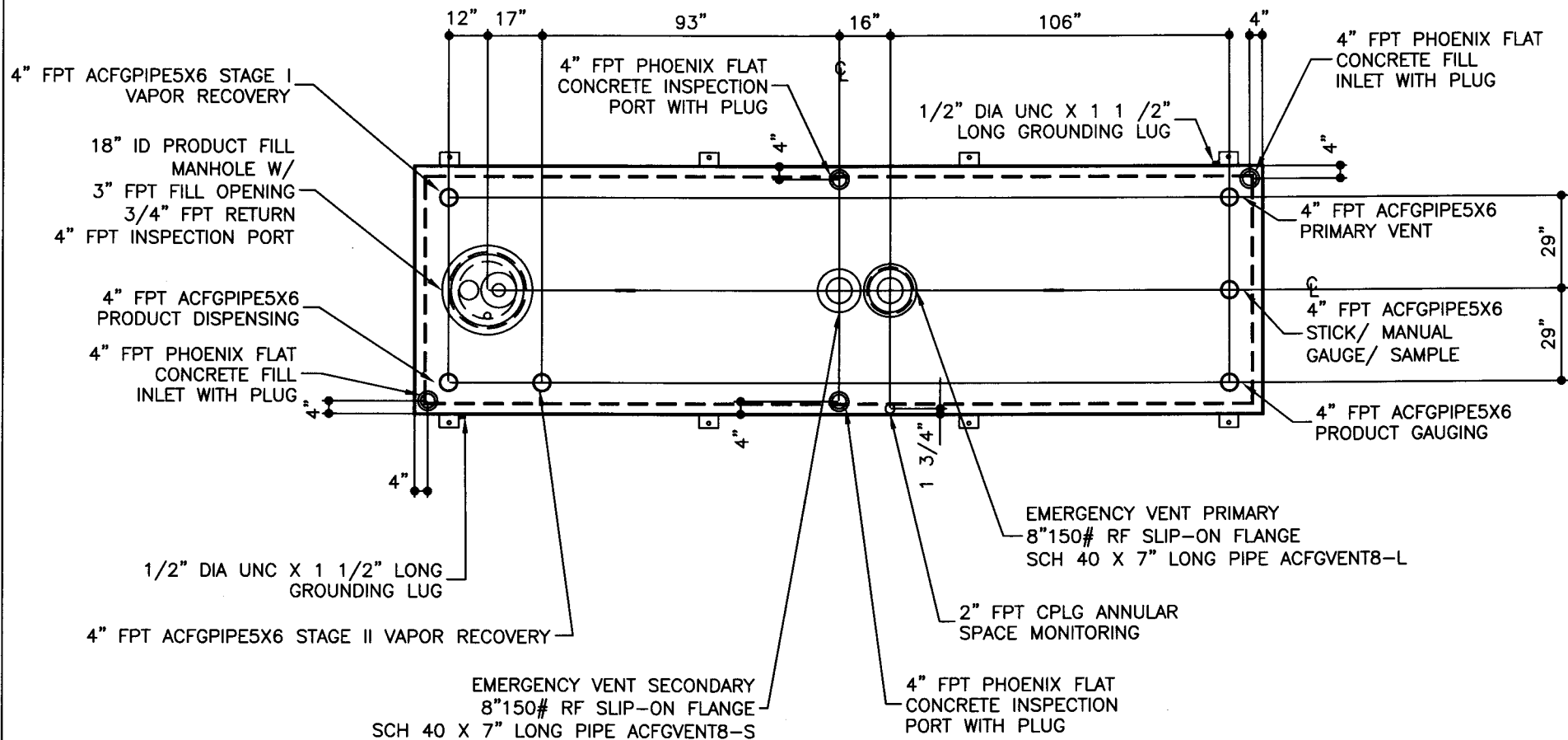


ELEVATION - END VIEW



ELEVATION - END VIEW

TOLERANCES TANK		UL 2085 (BUILT & LABELED) UL 142 (BUILT & LABELED)		STEEL: ASTM A36 INNER TANK: TOP: 6 GAUGE (3/16") SIDE WALLS: 6 GAUGE (3/16") END WALLS: 6 GAUGE (3/16") BOTTOM: 6 GAUGE (3/16")		COATING: EXTERIOR ACE 3A COATING: SP-6 GRIT BLAST 3A COLOR: #WH01 (WHITE) 1 CT TN-161 EPOXY 3.0-5.0 MILS 1 CT TN-74 URETHANE 2.0-3.0 MILS TDF 5.0-8.0 MILS SURFACE AREA: 670 SQUARE FEET		SPECIAL INSTRUCTIONS FILL ANNULAR SPACE WITH PORTLAND CEMENT / PERLITE, CEMENT GRADE MIX. LEAVE 1" AIR GAP BETWEEN PERLITE TOP & SECONDARY TANK 190 CUBIC FEET		APPROXIMATE SHIPPING WEIGHT: 17,575 LBS. WITH CEMENT 12,650 LBS. WITHOUT CEMENT TANK VENT CAPACITY 354,000 PRIMARY 354,000 SECONDARY		DRW BY - REV No 1 SHEET 2 OF -
CAPACITY -0% / +10 OVERALL LENGTH -0" / +2" OVERALL WIDTH -0" / +1" OVERALL HEIGHT -1/2" / +1/2" OTHER DIMENSIONS -1/4" / +1/4"		HOLD DOWNS ARE SEISMIC RATED DOUBLE WALL WITH 3" INSULATION RECTANGLE FIREGUARD WITH SUPPORTS		OUTER TANK: TOP: 6 GAUGE (3/16") SIDE WALLS: 6 GAUGE (3/16") END WALLS: 6 GAUGE (3/16") BOTTOM: 6 GAUGE (3/16")		INTERIOR: BARE STEEL SURFACE AREA: 590 SQUARE FEET		1-206-281-5000		JOB ID No. - ACE HOUSE PAPER No. - ENG. FILE No. - 01-01-02 SUPERCEDES 09-01-01		
Acetank & Equipment COPYRIGHT 1997 ACE TANK & EQUIPMENT		FIREGUARD - 5,000 GALLON		ACE PART No. AC05000U2G3 QTY: 1		(F:11ACSTOCK\FIREGUARD\U2G3-3\0150012-ORTH0.GCD-1:32)						



TOP VIEW

	JOB ID No.	TOLERANCES		QUANTITY	PART NAME	No.	DRAWING / REVISION	DRAWN BY	CHECKED BY	SHEET
	ACE HOUSE PAPER No.	OPENING LAYOUT		1	5,000 GALLON RECTANGLE FIREGUARD	1	1ST SUBMITTAL	-	-	OF
	ENG. FILE No.	ALL DIMENSIONS $-1/4" \pm 1/4"$				ACE PART No.	AC05000U2G3	-	-	
		32		(F:11ACSHOPIFIREGUARDU2G1-31-124)	01-01-02 SUPERCEDES 10-01-01					
P.O. Box 9039 Seattle, WA 98109-0039										