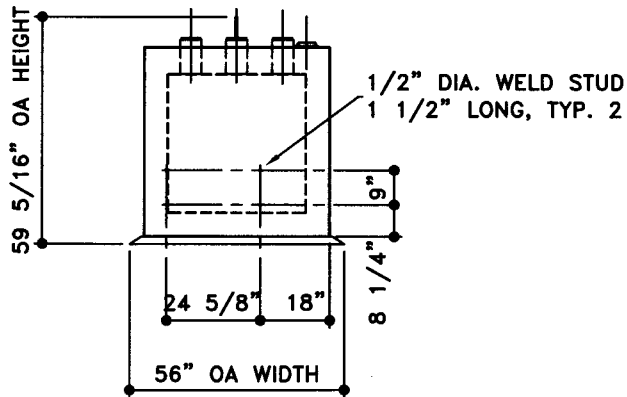
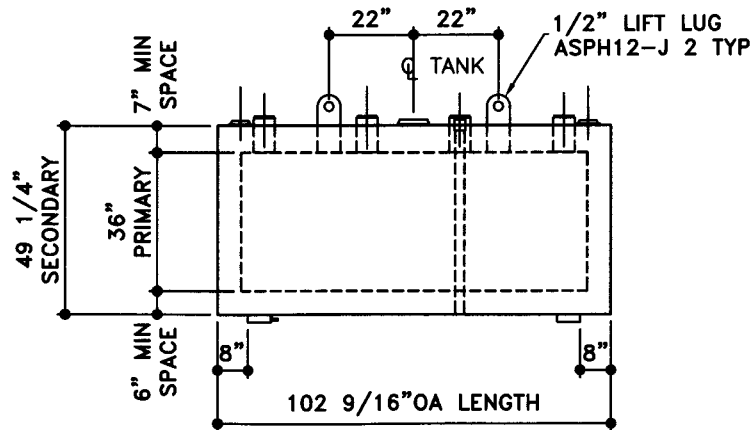


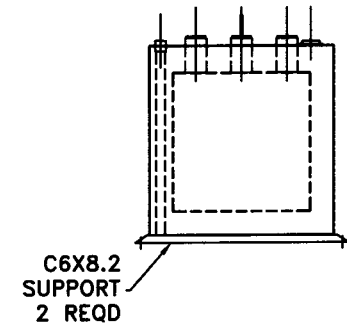
TOP VIEW



ELEVATION - END VIEW

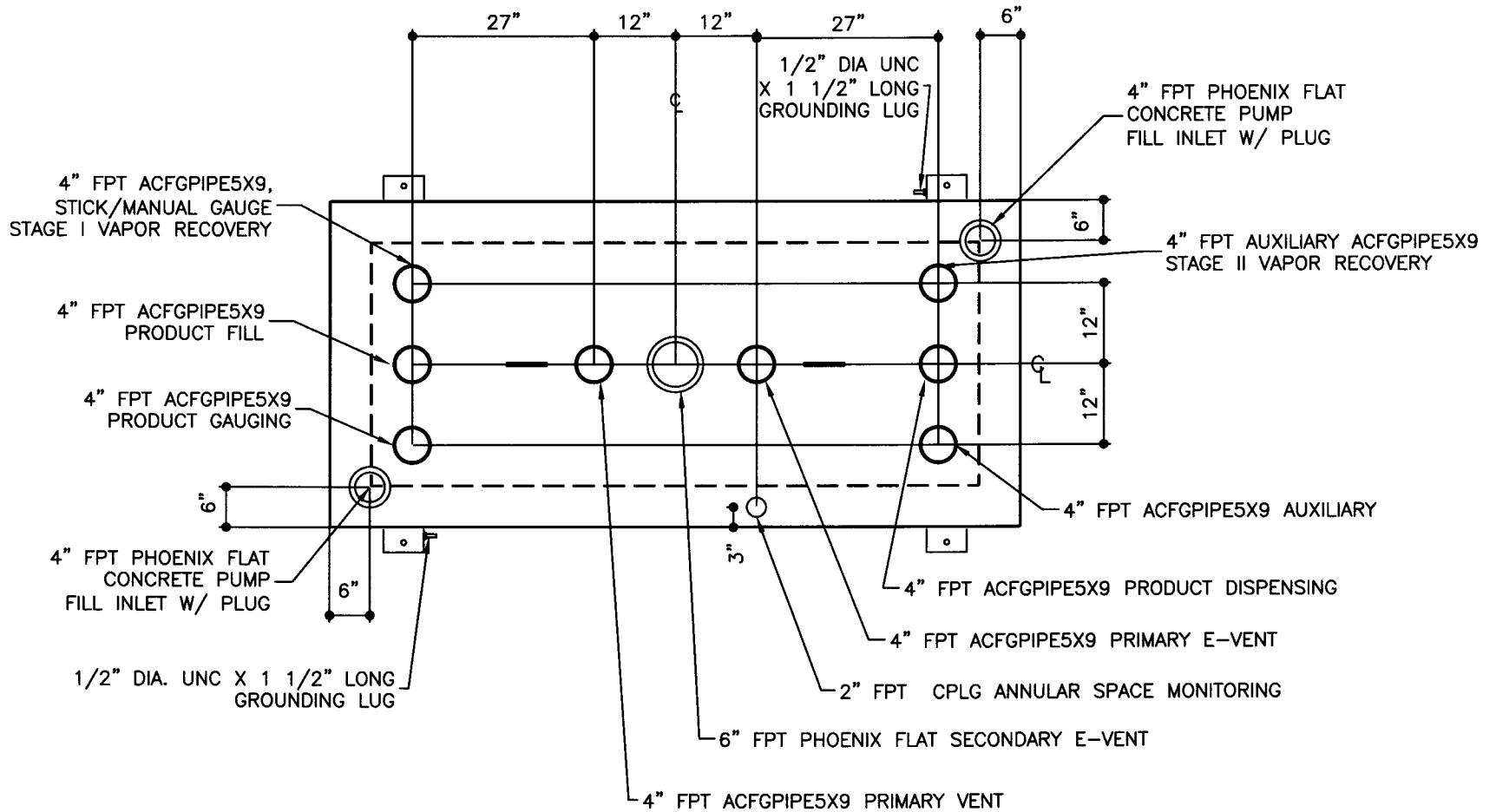


ELEVATION - SIDE VIEW



ELEVATION - END VIEW

TOLERANCES		STEEL: ASTM A36		COATING:		SPECIAL INSTRUCTIONS		APPROXIMATE SHIPPING WEIGHT:		DRW BY
TANK		INNER TANK:		EXTERIOR ACE 3A COATING:		FILL ANNULAR SPACE WITH PORTLAND CEMENT / PERLITE, CEMENT GRADE MIX.		4,875 LBS. WITH CEMENT 2,100 LBS. WITHOUT CEMENT		-
CAPACITY	-0% / +10	TOP: 10 GAUGE (9/64")		SP-6 GRIT BLAST		LEAVE 1" AIR GAP BETWEEN PERLITE TOP & SECONDARY TANK		TANK VENT CAPACITY		REV No
OVERALL LENGTH	-0" / +2"	SIDE WALLS: 10 GAUGE (9/64")		3A COLOR: #WH01 (WHITE)				94,800 PRIMARY		1
OVERALL WIDTH	-0" / +1"	END WALLS: 10 GAUGE (9/64")		1 CT TN-161 EPOXY 3.0-5.0 MILS		73 CUBIC FEET		147,000 SECONDARY		SHEET
OVERALL HEIGHT	-1/2" / +1/2"	BOTTOM: 10 GAUGE (9/64")		1 CT TN-74 URETHANE 2.0-3.0 MILS						2
OTHER DIMENSIONS	-1/4" / +1/4"	OUTER TANK:		TDFT 5.0-8.0 MILS						OF
1-206-281-5000		TOP: 10 GAUGE (9/64")		SURFACE AREA: 181 SQUARE FEET						
FIREGUARD - 500 GALLON		SIDE WALLS: 10 GAUGE (9/64")		INTERIOR:						
ACE PART No. AC00500U2G3		END WALLS: 10 GAUGE (9/64")		BARE STEEL						
QTY: 1		BOTTOM: 10 GAUGE (9/64")		SURFACE AREA: 108 SQUARE FEET						
(F:11ACSTOCK\FIREGUARDIU2G3-3I00550I2-ORTHO.GCD-1:32)										
								JOB ID No. ACE HOUSE PAPER No. ENG. FILE No.		
								01-01-02 SUPERCEDES 09-01-01		



TOP VIEW

JOB ID No.	-
ACE HOUSE PAPER No.	-
ENGG. FILE No.	-
TOLERANCES	OPENING LAYOUT
	ALL DIMENSIONS -1/4" / + 1/4"
	16

QUANTITY	1	PART NAME	500 GALLON RECTANGLE FIREGUARD
ACE PART No.			AC00500U2G3
			(F:\ACSHOP\FIREGUARD\U2G1-31-1:16)

No.	DRAWING / REVISION	DRAWN BY	CHECKED BY	SHEET
1	1ST SUBMITTAL	-	-	OF
-	-	-	-	
-	-	-	-	
-	-	-	-	
01-01-02 SUPERCEDES 10-01-01				