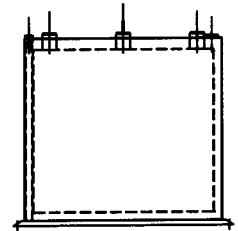
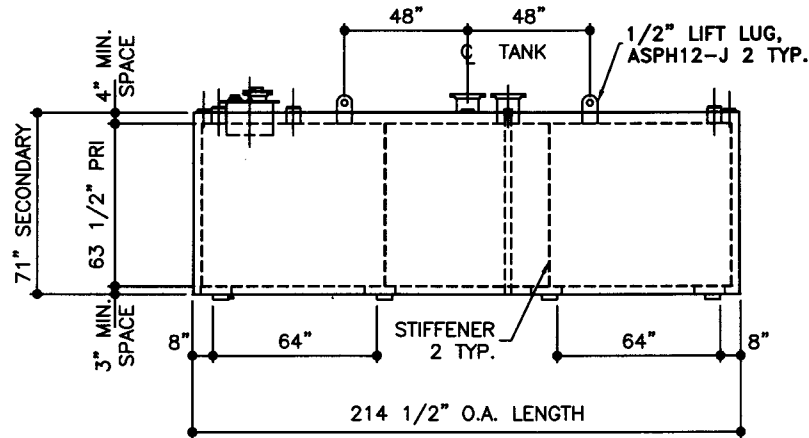
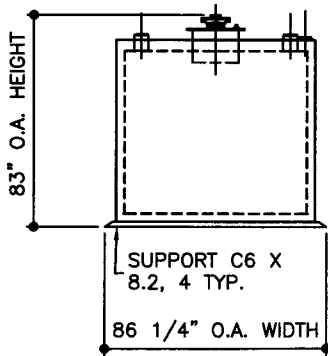
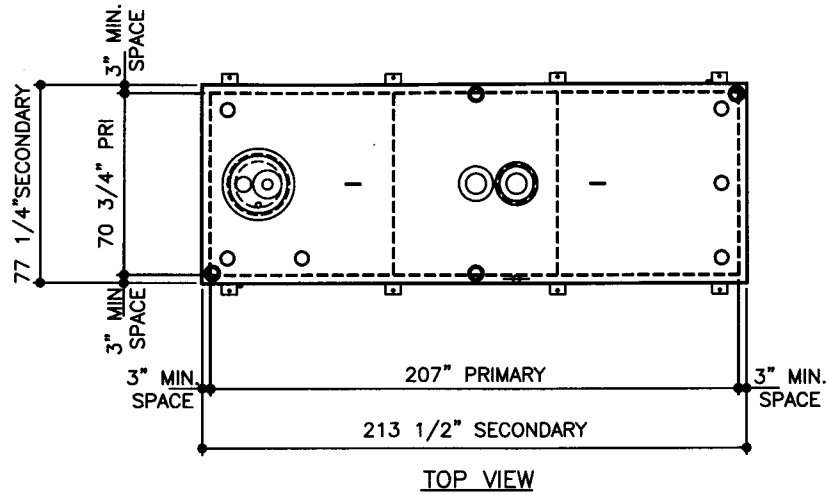


NOTE:
PRIMARY AND SECONDARY
TANK DIMENSIONS ARE
INSIDE DIMENSIONS

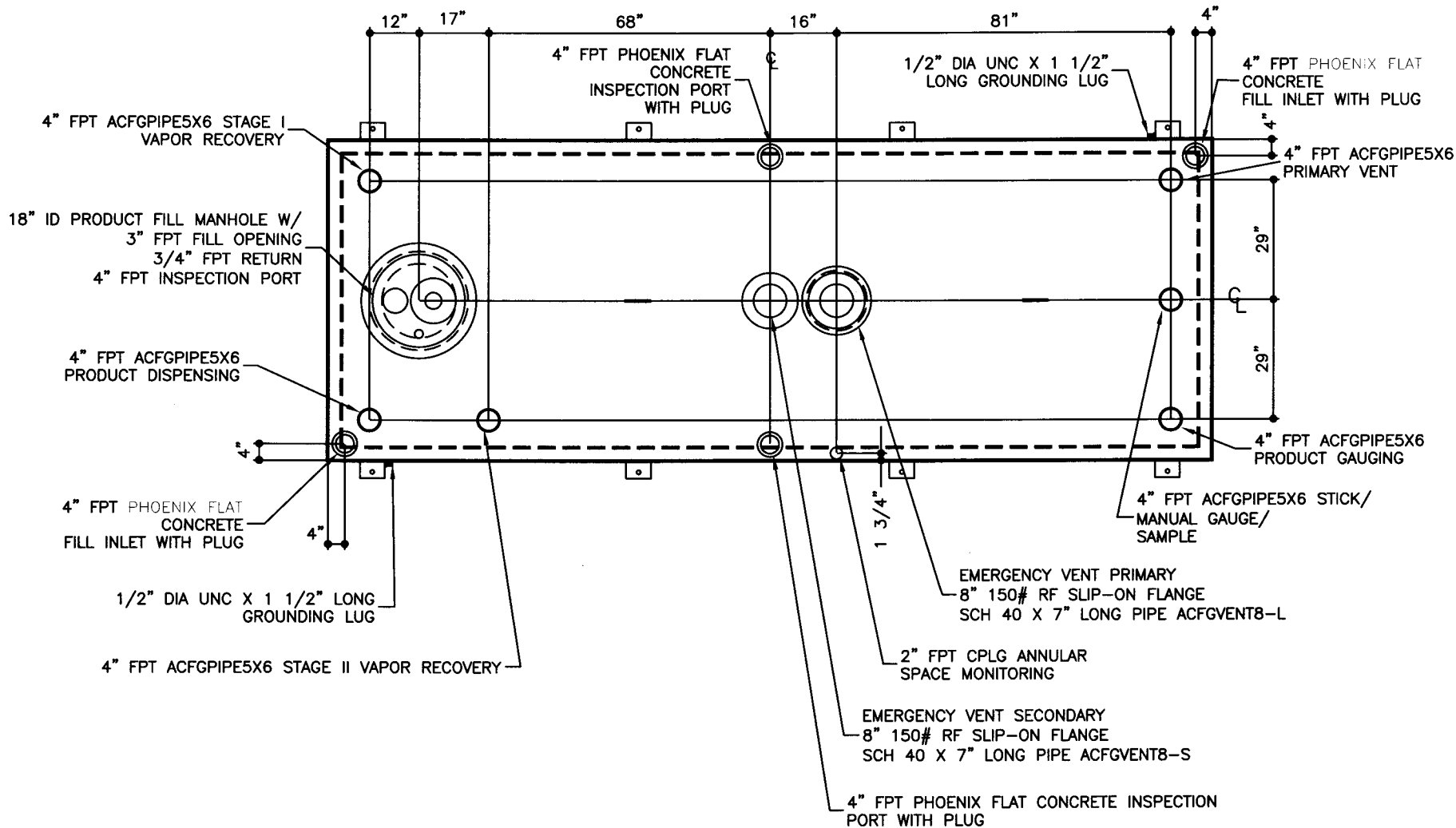


ELEVATION - END VIEW

ELEVATION - SIDE VIEW

ELEVATION - END VIEW

TOLERANCES TANK CAPACITY -0% / +10 OVERALL LENGTH -0" / +2" OVERALL WIDTH -0" / +1" OVERALL HEIGHT -1/2" / +1/2" OTHER DIMENSIONS -1/4" / +1/4"		UL 2085 (BUILT & LABELED) UL 142 (BUILT & LABELED) HOLDDOWNS ARE SEISMIC RATED DOUBLE WALL WITH 3" INSULATION RECTANGLE FIREGUARD WITH SUPPORTS		STEEL: ASTM A36 INNER TANK: TOP: 6 GAUGE (3/16") SIDE WALLS: 6 GAUGE (3/16") END WALLS: 6 GAUGE (3/16") BOTTOM: 6 GAUGE (3/16") OUTER TANK: TOP: 6 GAUGE (3/16") SIDE WALLS: 6 GAUGE (3/16") END WALLS: 6 GAUGE (3/16") BOTTOM: 6 GAUGE (3/16")		COATING: EXTERIOR ACE 3A COATING: SP-6 GRIT BLAST 3A COLOR: #WH01 (WHITE) 1 CT TN-161 EPOXY 3.0 -5.0 MILS 1 CT TN-74 URETHANE 2.0 -3.0 MILS TDFT 5.0 -8.0 MILS SURFACE AREA: 563 SQUARE FEET INTERIOR: BARE STEEL SURFACE AREA: 493 SQUARE FEET		SPECIAL INSTRUCTIONS FILL ANNULAR SPACE WITH PORTLAND CEMENT / PERLITE, CEMENT GRADE MIX. LEAVE 1" AIR GAP BETWEEN PERLITE TOP & SECONDARY TANK 156 CUBIC FEET		APPROXIMATE SHIPPING WEIGHT: 14,675 LBS. WITH CEMENT 10,625 LBS. WITHOUT CEMENT TANK VENT CAPACITY 288,000 PRIMARY 312,000 SECONDARY		DRW BY - REV No 1 SHEET 2 OF -
1-206-281-5000 		FIREGUARD - 4,000 GALLON ACE PART No. AC04000U2G3 QTY: 1 (F:11ACSTOCK\FIREGUARD\U2G3-3101500\2-ORTHO.GCD-1:32)								JOB ID No. - ACE HOUSE PAPER No. - ENG. FILE No. - 01-01-02 SUPERCEDES 09-01-01		



TOP VIEW



P.O. Box 9039
Seattle, WA 98109-0039

JOB ID No.	-	TOLERANCES	QUANTITY	PART NAME	4,000 GALLON RECTANGLE FIREGUARD	No.	DRAWING / REVISION	DRAWN BY	CHECKED BY	SHEET
ACE HOUSE PAPER No.	-	OPENING LAYOUT	1			1	1ST SUBMITTAL	-	-	OF
ENG. FILE No.	-	ALL DIMENSIONS -1/4" / + 1/4"		ACE PART No.	AC04000U2G3	-	-	-	-	
		24		(F:11ACSHOP\FIREGUARD\U2G3-31-1:24)		01-01-02 SUPERCEDES 10-01-01				