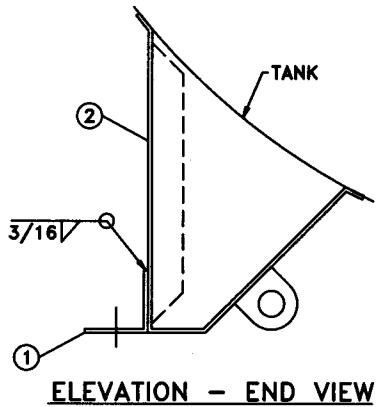
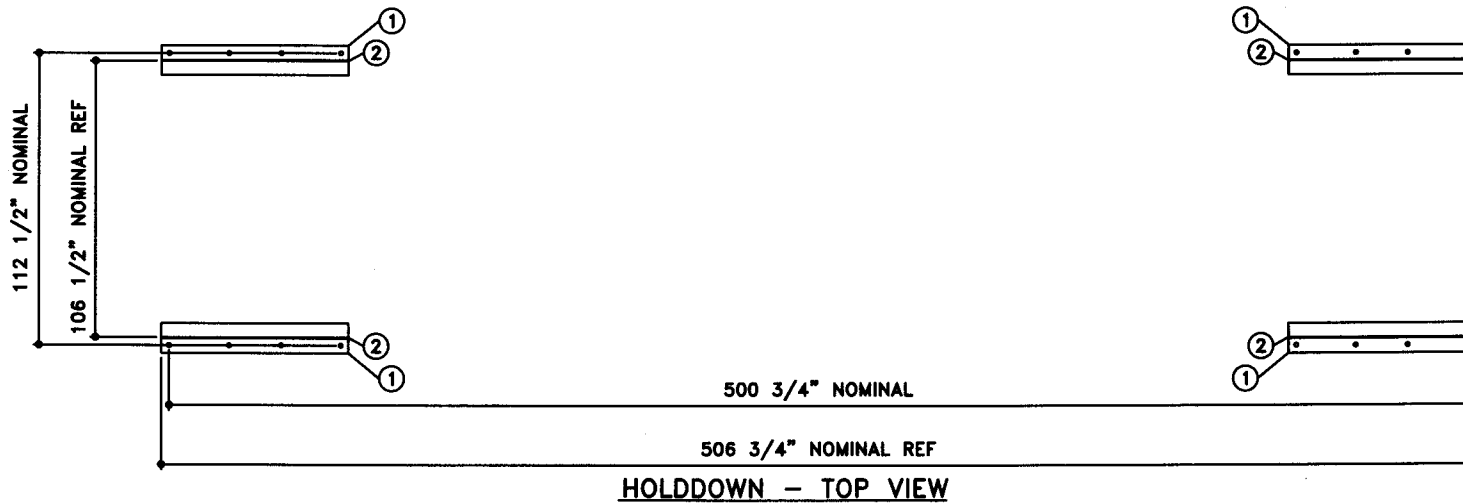
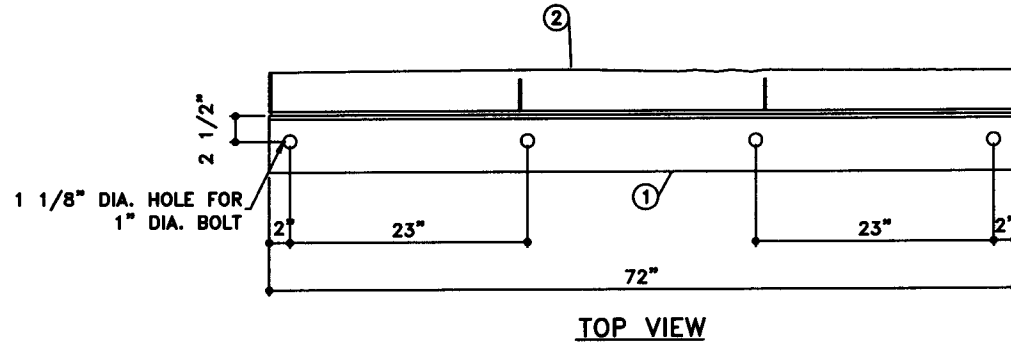


TOLERANCES TANK CAPACITY -0% / +10 OVERALL LENGTH -0" / +2" OVERALL WIDTH -0" / +1" OVERALL HEIGHT -1/2" / +1/2" OTHER DIMENSIONS -1/4" / +1/4"		UL 2085 (BUILT & LABELED) UL 142 (BUILT & LABELED) STI-F941 (BUILT & LABELED) HOLDDOWNS ARE SEISMIC RATED DOUBLE WALL WITH 3" INSULATION CYLINDRICAL FIREGUARD WITH SUPPORTS		STEEL: ASTM A36 PRIMARY TANK SHELL: 2 GAUGE (1/4") HEAD: 2 GAUGE (1/4")		COATING: EXTERIOR ACE 3A COATING: SP-6 GRIT BLAST 3A COLOR: #WH01 (WHITE) 1 CT TN-161 EPOXY 3.0-5.0 MILS 1 CT TN-74 URETHANE 2.0-3.0 MILS TDFT 5.0-8.0 MILS		SPECIAL INSTRUCTIONS FILL ANNULAR SPACE WITH PORTLAND CEMENT / PERLITE, CEMENT GRADE MIX. LEAVE 1" AIR GAP BETWEEN PERLITE & SECONDARY TANK INTERSTITIAL SPACE: 527 CUBIC FEET		APPROXIMATE SHIPPING WEIGHT 61,400 LBS. 44,525 LBS. (WITHOUT CEMENT) TANK VENT CAPACITY 587,000 PRIMARY 587,000 SECONDARY		DRW BY - REV No 1 SHEET 2 OF -
1-206-281-5000 		FIREGUARD - 30,000 GALLON ACE PART No. AC30000U2G1 QTY: 1		SECONDARY TANK SHELL: 2 GAUGE (1/4") HEAD: 0 GAUGE (5/16")		INTERIOR: BARE STEEL		JOB ID No. - ACE HOUSE PAPER No. - ENG. FILE No. - 01-01-02 SUPERCEDES 10-01-01		- - -		



BILL OF MATERIAL						
ITEM	QTY	NAME	DESCRIPTION	MATL	PART No.	NOTES
1	4	HOLDDOWN	L4 X 4 X 1/4 X 72" LONG	A36	-	MOUNT, COAT
2	-	SADDLE	-	A36	-	SEE DTL

NOTE:
1. ALL NOMINAL DIMENSIONS ARE 3"±



JOB ID No.	TOLERANCES
-	SEISMIC HOLDDOWN
ACE HOUSE PAPER No.	OVERALL LENGTH -1/8" / +1/8"
-	OVERALL WIDTH -1/8" / +1/8"
ENGR. FILE No.	OVERALL HEIGHT -1/8" / +1/8"
-	OTHER DIMENSIONS -1/8" / +1/8"

QUANTITY	PART NAME
1	SEISMIC HOLD DOWN - DETAILS
	-
	ACE PART No. AC30000U2G1
	(1:12)

No.	DRAWING / REVISION	DRAWN BY	CHECKED BY	SHEET
1	1ST SUBMITTAL	-	-	OF
-	-	-	-	-
-	-	-	-	-
-	-	-	-	-
01-01-01 SUPERCEDES				