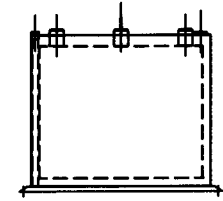
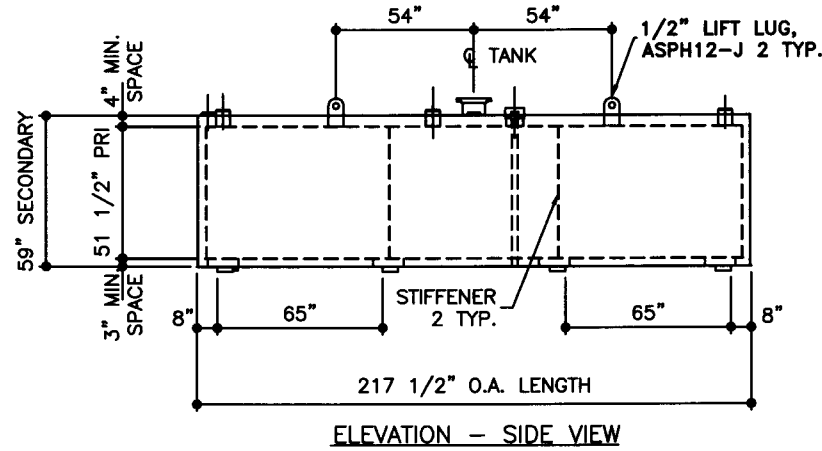
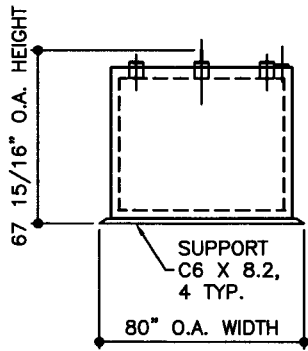
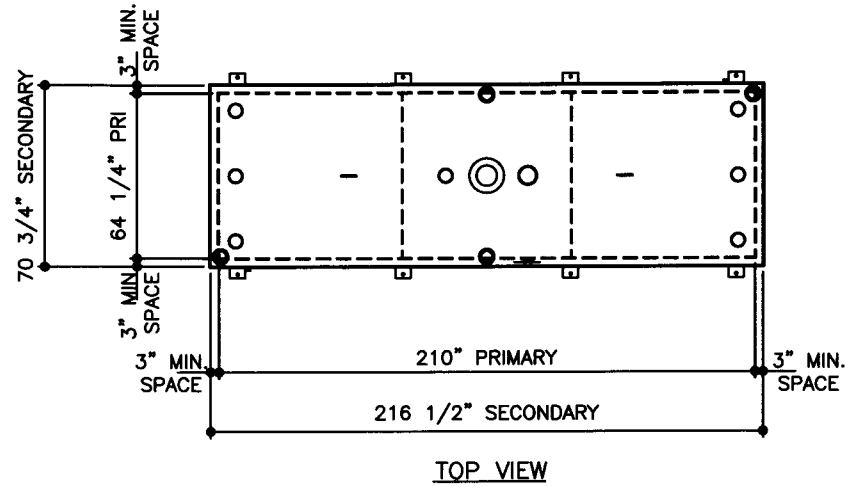


NOTE:
PRIMARY AND SECONDARY
TANK DIMENSIONS ARE
INSIDE DIMENSIONS



TOLERANCES	
TANK	
CAPACITY	-0% / +10
OVERALL LENGTH	-0" / +2"
OVERALL WIDTH	-0" / +1"
OVERALL HEIGHT	-1/2" / +1/2"
OTHER DIMENSIONS	-1/4" / +1/4"

UL 2085 (BUILT & LABELED)
UL 142 (BUILT & LABELED)

HOLDDOWNS ARE SEISMIC RATED
DOUBLE WALL WITH 3" INSULATION
RECTANGLE FIREGUARD WITH SUPPORTS

STEEL: ASTM A36
INNER TANK:
TOP: 6 GAUGE (3/16")
SIDE WALLS: 6 GAUGE (3/16")
END WALLS: 6 GAUGE (3/16")
BOTTOM: 6 GAUGE (3/16")

COATING:
EXTERIOR ACE 3A COATING:
SP-6 GRIT BLAST
3A COLOR: #WH01 (WHITE)
1 CT TN-161 EPOXY 3.0-5.0 MILS
1 CT TN-74 URETHANE 2.0-3.0 MILS
TDFT 5.0-8.0 MILS

SURFACE AREA: 494 SQUARE FEET

SPECIAL INSTRUCTIONS
FILL ANNULAR SPACE WITH
PORTLAND CEMENT / PERLITE,
CEMENT GRADE MIX.
LEAVE 1" AIR GAP BETWEEN
PERLITE TOP & SECONDARY TANK

136 CUBIC FEET

APPROXIMATE SHIPPING WEIGHT:
12,800 LBS. WITH CEMENT
9,300 LBS. WITHOUT CEMENT

TANK VENT CAPACITY
265,000 PRIMARY
288,000 SECONDARY

DRW BY -
REV No 1
SHEET 2
OF



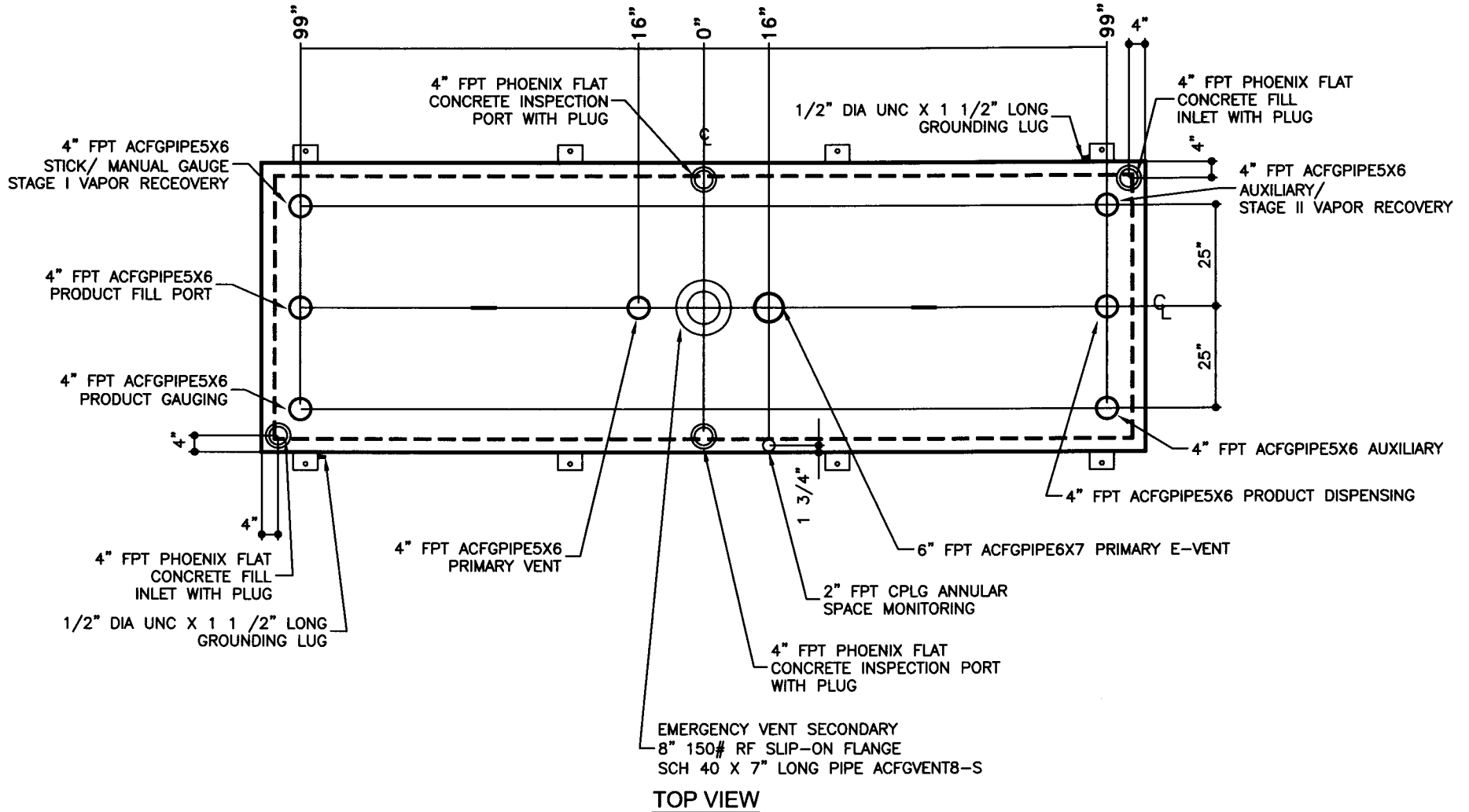
FIREGUARD - 3,000 GALLON

ACE PART No. AC03000U2G3 QTY: 1
(F:\1ACSTOCK\FIREGUARD\U2G3-310150012-ORTHO.GCD-1.32)

OUTER TANK:
TOP: 6 GAUGE (3/16")
SIDE WALLS: 6 GAUGE (3/16")
END WALLS: 6 GAUGE (3/16")
BOTTOM: 6 GAUGE (3/16")

INTERIOR:
BARE STEEL
SURFACE AREA: 425 SQUARE FEET

JOB ID No. - ACE HOUSE PAPER No. - ENG. FILE No. -
06-01-02 SUPERCEDES 01-01-02



JOB ID No.	-	TOLERANCES OPENING LAYOUT ALL DIMENSIONS $-1/16" / +1/16"$	QUANTITY	1	PART NAME 3,000 GALLON RECTANGLE FIREGUARD	No.	DRAWING / REVISION	DRAWN BY	CHECKED BY	SHEET
ACE HOUSE PAPER No.	-		ACE PART No. AC03000U2G3	1 1ST SUBMITTAL		-	-	-	-	OF
ENGG. FILE No.	-			(F:11ACSHOPIFIREGUARDU2G1-31-1:24)	EMERGENCY VENT SECONDARY 8" 150# RF SLIP-ON FLANGE SCH 40 X 7" LONG PIPE ACFGVENT8-S		06-01-02	SUPERCEDES	01-01-02	