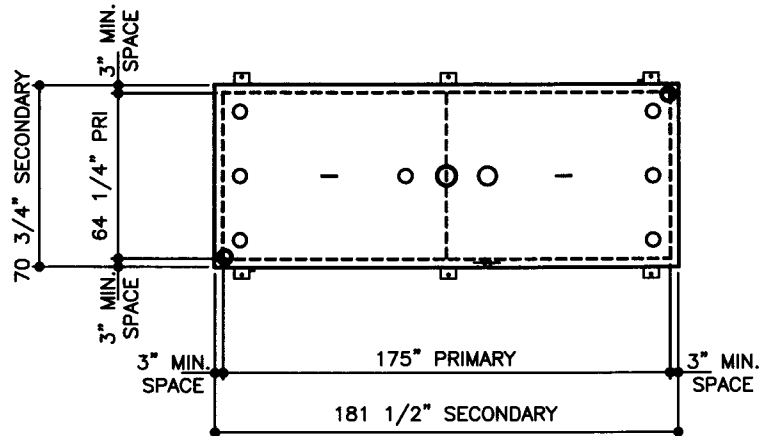
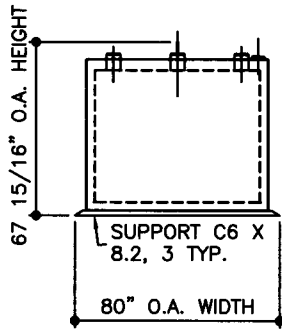


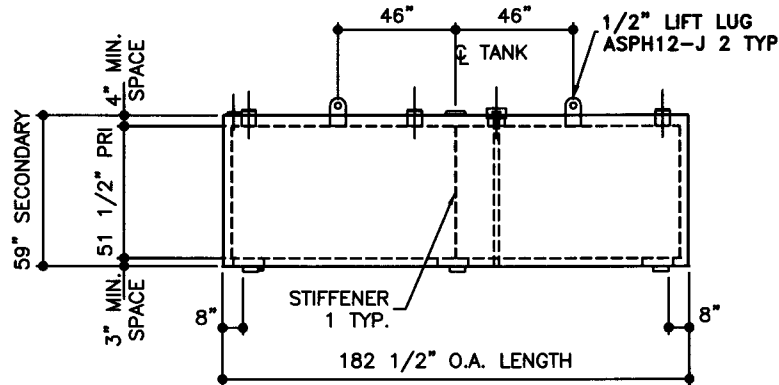
NOTE:  
PRIMARY AND SECONDARY  
TANK DIMENSIONS ARE  
INSIDE DIMENSIONS



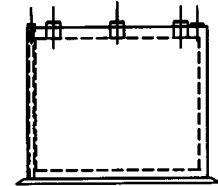
TOP VIEW



ELEVATION - END VIEW

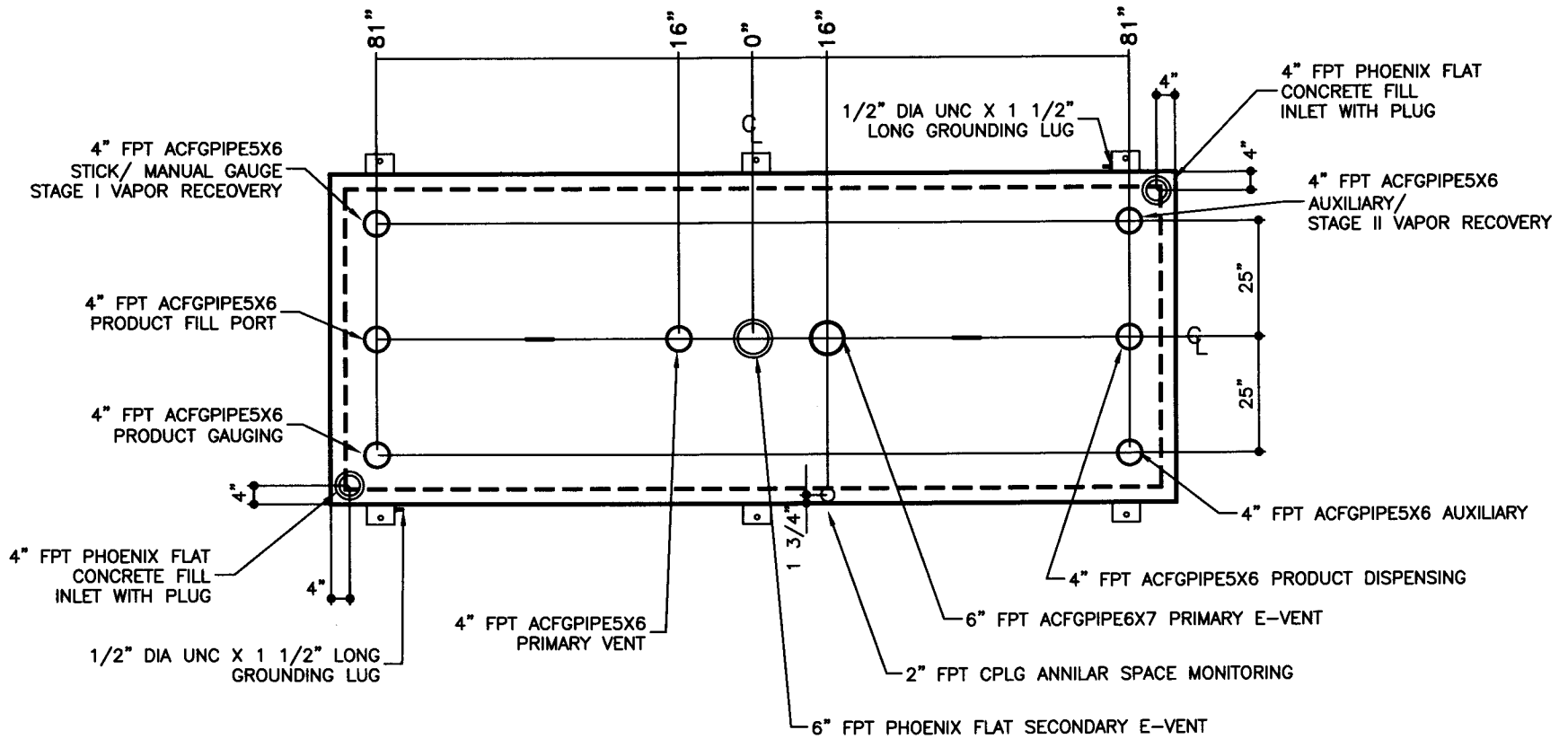


ELEVATION - SIDE VIEW



ELEVATION - END VIEW

<b>TOLERANCES</b> TANK		STEEL: ASTM A36 INNER TANK: TOP: 6 GAUGE (3/16") SIDE WALLS: 6 GAUGE (3/16") END WALLS: 6 GAUGE (3/16") BOTTOM: 6 GAUGE (3/16")		COATING: EXTERIOR ACE 3A COATING: SP-6 GRIT BLAST 3A COLOR: #WH01 (WHITE) 1 CT TN-181 EPOXY 3.0-5.0 MILS 1 CT TN-74 URETHANE 2.0-3.0 MILS TDFT 5.0-8.0 MILS		SPECIAL INSTRUCTIONS FILL ANNULAR SPACE WITH PORTLAND CEMENT / PERLITE, CEMENT GRADE MIX. LEAVE 1" AIR GAP BETWEEN PERLITE TOP & SECONDARY TANK 116 CUBIC FEET		APPROXIMATE SHIPPING WEIGHT: 10,900 LBS. WITH CEMENT 7,800 LBS. WITHOUT CEMENT TANK VENT CAPACITY 239,000 PRIMARY 265,000 SECONDARY		DRW BY - REV No 1 SHEET 2 OF OF
CAPACITY -0% / +10 OVERALL LENGTH -0" / +2" OVERALL WIDTH -0" / +1" OVERALL HEIGHT -1/2" / +1/2" OTHER DIMENSIONS -1/4" / +1/4"		UL 2085 (BUILT & LABELED) UL 142 (BUILT & LABELED) HOLDDOWNS ARE SEISMIC RATED DOUBLE WALL WITH 3" INSULATION RECTANGLE FIREGUARD WITH SUPPORTS		OUTER TANK: TOP: 6 GAUGE (3/16") SIDE WALLS: 6 GAUGE (3/16") END WALLS: 6 GAUGE (3/16") BOTTOM: 6 GAUGE (3/16")		SURFACE AREA: 422 SQUARE FEET INTERIOR: BARE STEEL SURFACE AREA: 358 SQUARE FEET		265,000 SECONDARY		
1-208-281-5000 <b>Acetank</b> & EQUIPMENT COPYRIGHT 1997 ACE TANK & EQUIPMENT		<b>FIREGUARD - 2,500 GALLON</b> ACE PART No. <b>AC02500U2G3</b> QTY: 1 (F:\11ACSTOCK\FIREGUARDIU2G3-310150012-ORTHO.GCD-1:32)						JOB ID No. - ACE HOUSE PAPER No. - ENG. FILE No. - 06-01-02 SUPERCEDES 01-01-02		



TOP VIEW



P.O. Box 9039  
Seattle, WA 98109-0039

JOB ID No.	-
ACE HOUSE PAPER No.	-
ENGG. FILE No.	-

<b>TOLERANCES</b>
<b>OPENING LAYOUT</b>
ALL DIMENSIONS -1/16" / + 1/16"
24

QUANTITY	1
----------	---

PART NAME	2,500 GALLON RECTANGLE FIREGUARD
ACE PART No.	AC02500U2G3
(F:\1ACSHOPI\FIREGUARD\U2G1-31-1:24)	

No.	DRAWING / REVISION	DRAWN BY	CHECKED BY	SHEET
1	1ST SUBMITTAL	-	-	OF
-	-	-	-	-
-	-	-	-	-

01-01-02 SUPERCEDES 10-01-01