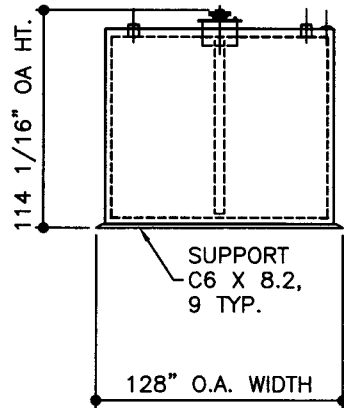
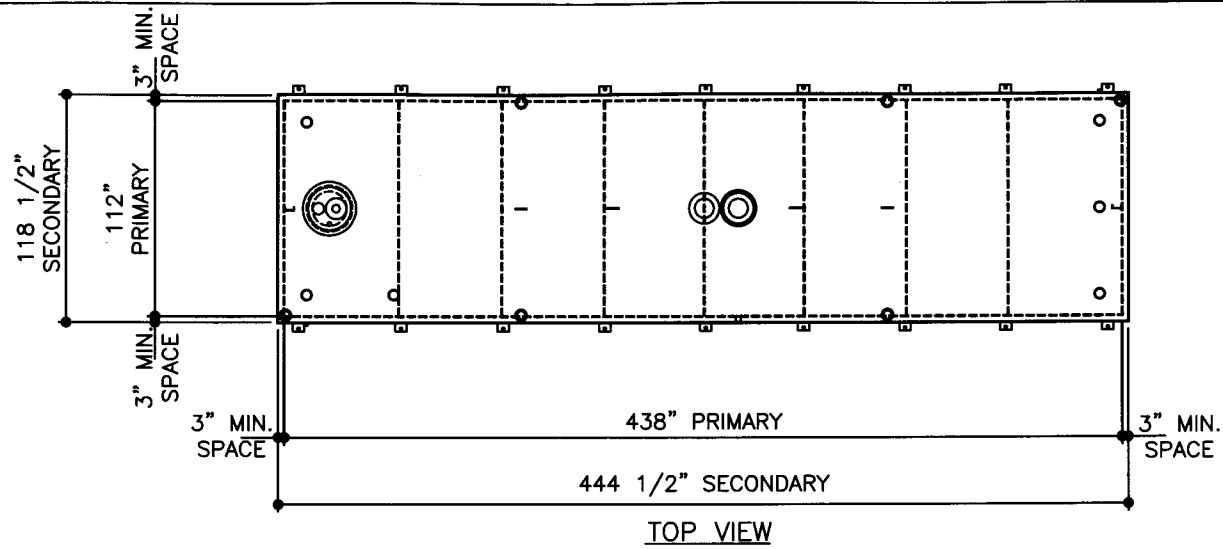
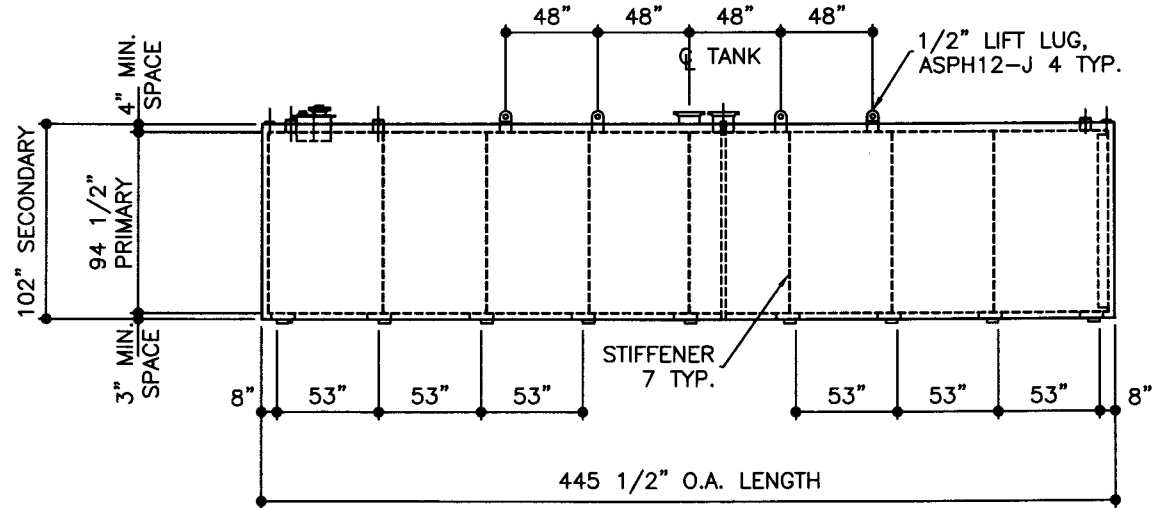


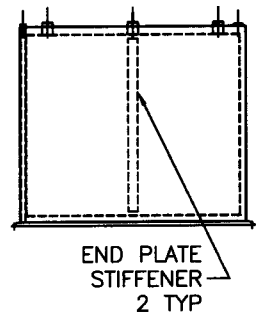
NOTE:  
PRIMARY AND SECONDARY  
TANK DIMENSIONS ARE  
INSIDE DIMENSIONS



ELEVATION - END VIEW

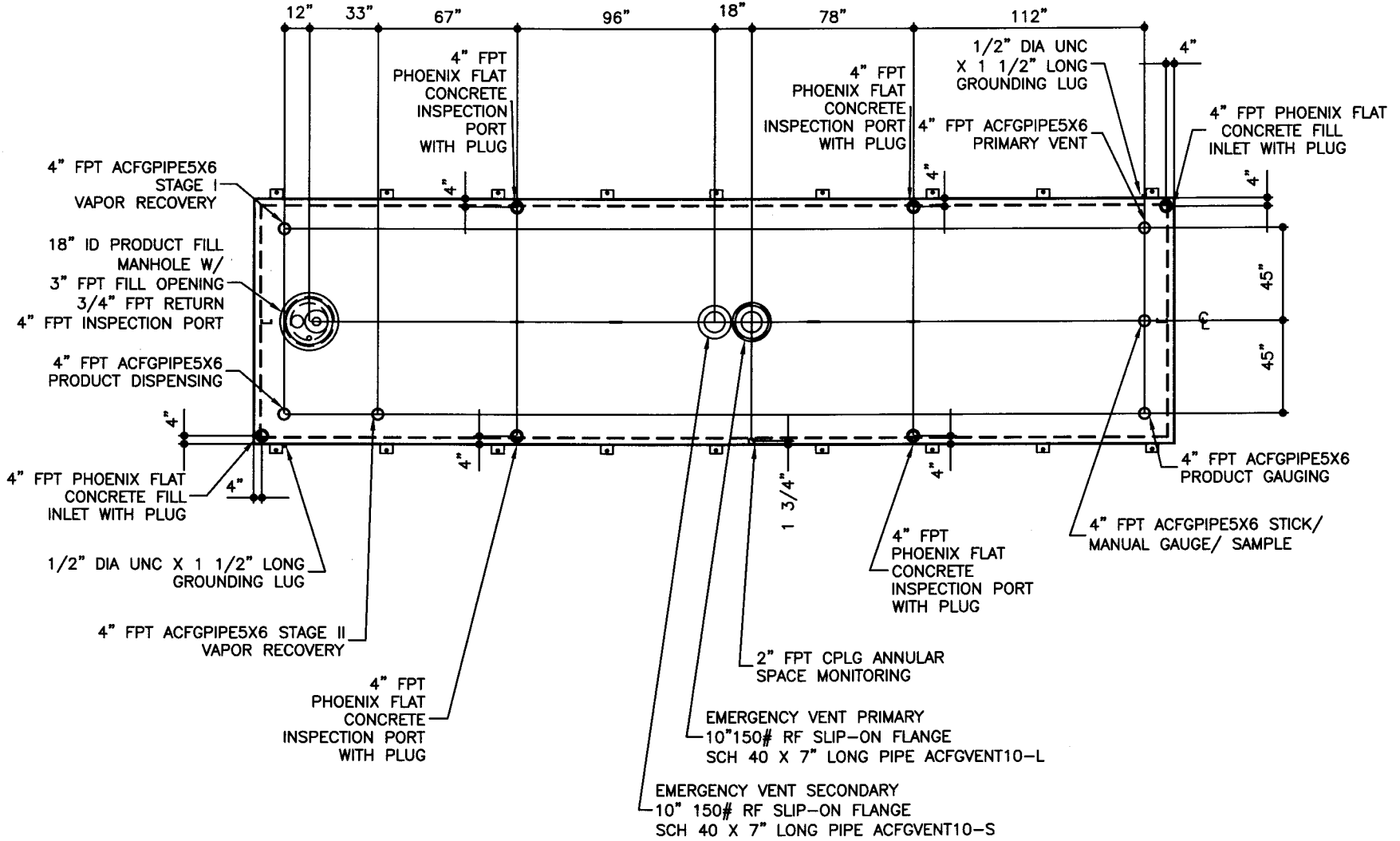


ELEVATION - SIDE VIEW



ELEVATION - END VIEW

<b>TOLERANCES</b> TANK CAPACITY -0% / +10 OVERALL LENGTH -0" / +2" OVERALL WIDTH -0" / +1" OVERALL HEIGHT -1/2" / +1/2" OTHER DIMENSIONS -1/4" / +1/4"		UL 2085 (BUILT & LABELED) UL 142 (BUILT & LABELED)  HOLDDOWNS ARE SEISMIC RATED DOUBLE WALL WITH 3" INSULATION RECTANGLE FIREGUARD WITH SUPPORTS		STEEL: ASTM A36 INNER TANK: TOP: 2 GAUGE (1/4") SIDE WALLS: 2 GAUGE (1/4") END WALLS: 2 GAUGE (1/4") BOTTOM: 2 GAUGE (1/4")  OUTER TANK: TOP: 2 GAUGE (1/4") SIDE WALLS: 2 GAUGE (1/4") END WALLS: 2 GAUGE (1/4") BOTTOM: 2 GAUGE (1/4")		COATING: EXTERIOR ACE 3A COATING: SP-6 GRIT BLAST 3A COLOR: #WH01 (WHITE) 1 CT TN-161 EPOXY 3.0-5.0 MILS 1 CT TN-74 URETHANE 2.0-3.0 MILS TDFT 5.0-8.0 MILS  SURFACE AREA: 1,687 SQUARE FEET  INTERIOR: BARE STEEL SURFACE AREA: 1,627 SQUARE FEET		SPECIAL INSTRUCTIONS FILL ANNULAR SPACE WITH PORTLAND CEMENT / PERLITE, CEMENT GRADE MIX. LEAVE 1" AIR GAP BETWEEN PERLITE TOP & SECONDARY TANK  488 CUBIC FEET		APPROXIMATE SHIPPING WEIGHT: 54,800 LBS. WITH CEMENT 43,100 LBS. WITHOUT CEMENT  TANK VENT CAPACITY 557,000 PRIMARY 557,000 SECONDARY		DRW BY - REV NO 1  SHEET 2 OF 0F
<b>FIREGUARD - 20,000 GALLON</b> ACE PART NO. AC20000U2G3 QTY: 1 (F:11ACSTOCK\FIREGUARD\U2G3-312000012-ORTHO.GCD-1:64)		1-206-281-5000  COPYRIGHT 1997 ACE TANK & EQUIPMENT		1-206-281-5000  COPYRIGHT 1997 ACE TANK & EQUIPMENT		1-206-281-5000  COPYRIGHT 1997 ACE TANK & EQUIPMENT		1-206-281-5000  COPYRIGHT 1997 ACE TANK & EQUIPMENT		01-01-02 SUPERCEDES 09-01-01		



TOP VIEW

JOB ID No.	-
ACE HOUSE PAPER No.	-
ENGG. FILE No.	-
<b>TOLERANCES</b>	
<b>OPENING LAYOUT</b>	
ALL DIMENSIONS $-1/4" / + 1/4"$	
48	

QUANTITY	PART NAME
1	20,000 GALLON RECTANGLE FIREGUARD
	ACE PART No.
	AC20000U2G3
	(F:11ACSHOPIFIREGUARDU2G1-31-1:24)

No.	DRAWING / REVISION	DRAWN BY	CHECKED BY	SHEET
1	1ST SUBMITTAL	-	-	OF
-	-	-	-	-
-	-	-	-	-
-	-	-	-	-
01-01-02 SUPERCEDES 10-01-01				