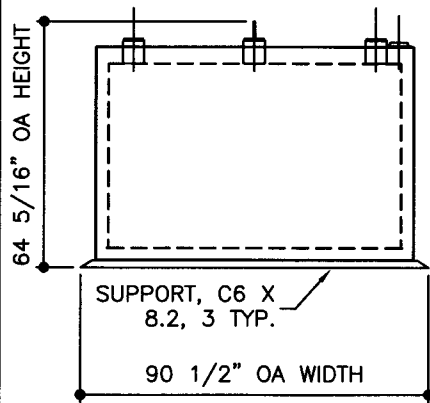
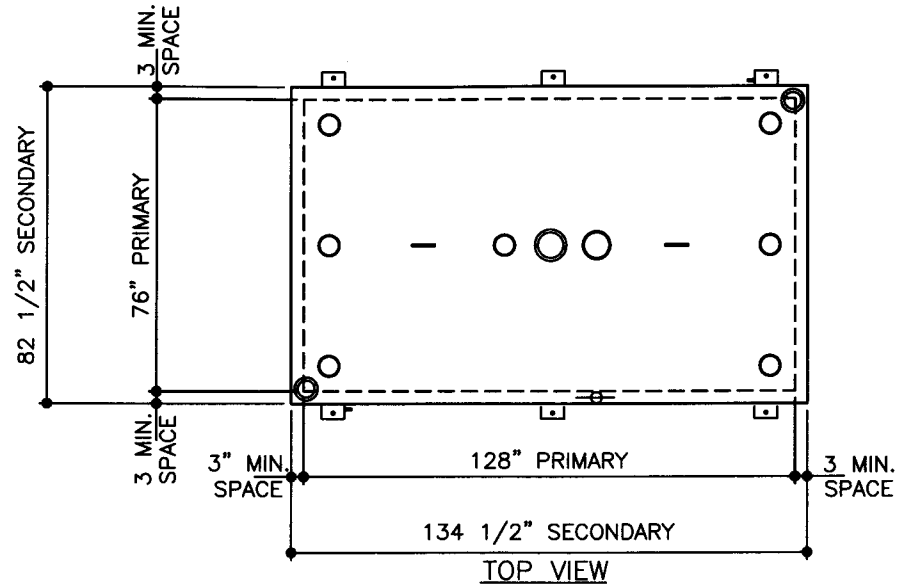


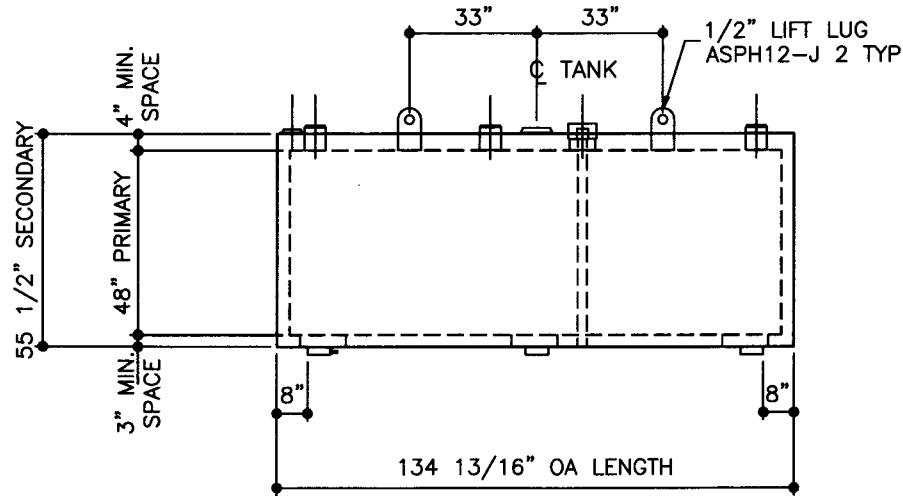
NOTE:
PRIMARY AND SECONDARY
TANK DIMENSIONS ARE
INSIDE DIMENSIONS



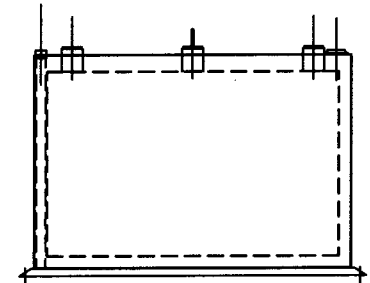
SUPPORT, C6 X
8.2, 3 TYP.

90 1/2" OA WIDTH

ELEVATION - END VIEW

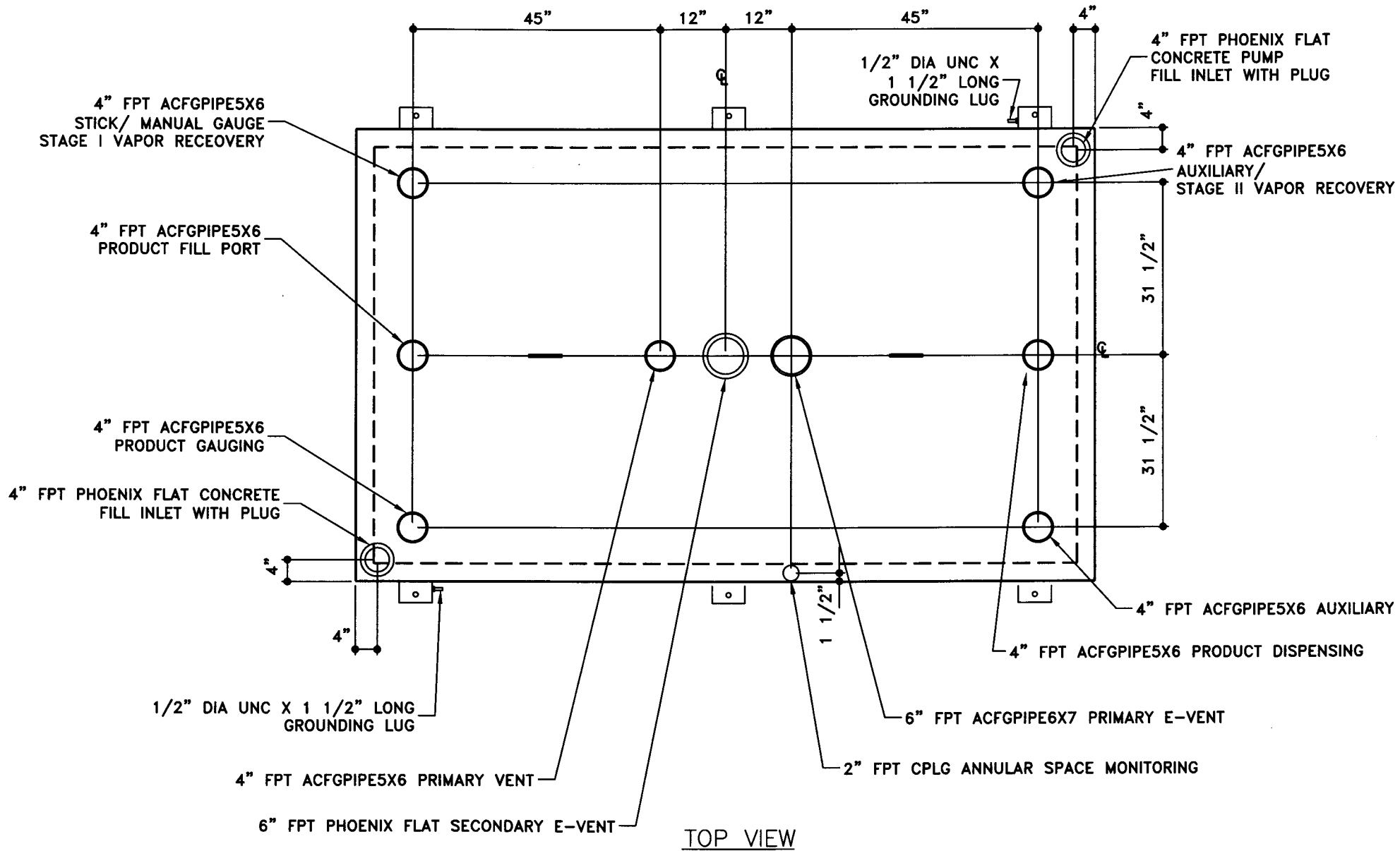


ELEVATION - SIDE VIEW



ELEVATION - END VIEW

TOLERANCES		STEEL: ASTM A36		COATING:		SPECIAL INSTRUCTIONS		APPROXIMATE SHIPPING WEIGHT:		DRW BY	
TANK		UL 2085 (BUILT & LABELED) UL 142 (BUILT & LABELED)		EXTERIOR ACE 3A COATING: SP-6 GRIT BLAST 3A COLOR: #WH01 (WHITE)		FILL ANNULAR SPACE WITH PORTLAND CEMENT / PERLITE, CEMENT GRADE MIX. LEAVE 1" AIR GAP BETWEEN PERLITE TOP & SECONDARY TANK		8,125 LBS. WITH CEMENT 5,800 LBS. WITHOUT CEMENT		-	
CAPACITY	-0% / +10	INNER TANK: TOP: 10 GAUGE (9/64") SIDE WALLS: 10 GAUGE (9/64") END WALLS: 10 GAUGE (9/64") BOTTOM: 10 GAUGE (9/64")		1 CT TN-161 EPOXY 3.0-5.0 MILS 1 CT TN-74 URETHANE 2.0-3.0 MILS TDFT 5.0-8.0 MILS				TANK VENT CAPACITY: 239,000 PRIMARY 239,000 SECONDARY		REV No	
OVERALL LENGTH	-0" / +2"	OUTER TANK: TOP: 6 GAUGE (3/16") SIDE WALLS: 6 GAUGE (3/16") END WALLS: 6 GAUGE (3/16") BOTTOM: 6 GAUGE (3/16")		INTERIOR: BARE STEEL						1	
OVERALL WIDTH	-0" / +1"	HOLDDOWNS ARE SEISMIC RATED DOUBLE WALL WITH 3" INSULATION RECTANGLE FIREGUARD WITH SUPPORTS								SHEET	
OVERALL HEIGHT	-1/2" / +1/2"	FIREGUARD - 2,000 GALLON								2	
OTHER DIMENSIONS	-1/4" / +1/4"	ACE PART No.	AC02000U2G3	QTY: 1					OF		
1-206-281-5000		(F:1ACSTOCK\FIREGUARD\U2G3-3102000\2-ORTHO.GCD-1:32)								JOB ID No. ACE HOUSE PAPER No. ENG. FILE No.	
										01-01-02 SUPERCEDES 09-01-01	



JOB ID No.	-
ACE HOUSE PAPER No.	-
ENGG. FILE No.	-
TOLERANCES	
OPENING LAYOUT	
ALL DIMENSIONS $-1/4" / +1/4"$	
16	

QUANTITY	PART NAME
1	2,000 GALLON RECTANGLE FIREGUARD
ACE PART No. AC02000U2G3	
(F:11ACSHOP\FIREGUARD\U2G1-3I-1:16)	

No.	DRAWING / REVISION	DRAWN BY	CHECKED BY	SHEET
1	1ST SUBMITTAL	-	-	OF
-	-	-	-	-
-	-	-	-	-
-	-	-	-	-
01-01-02 SUPERCEDES 10-01-01				