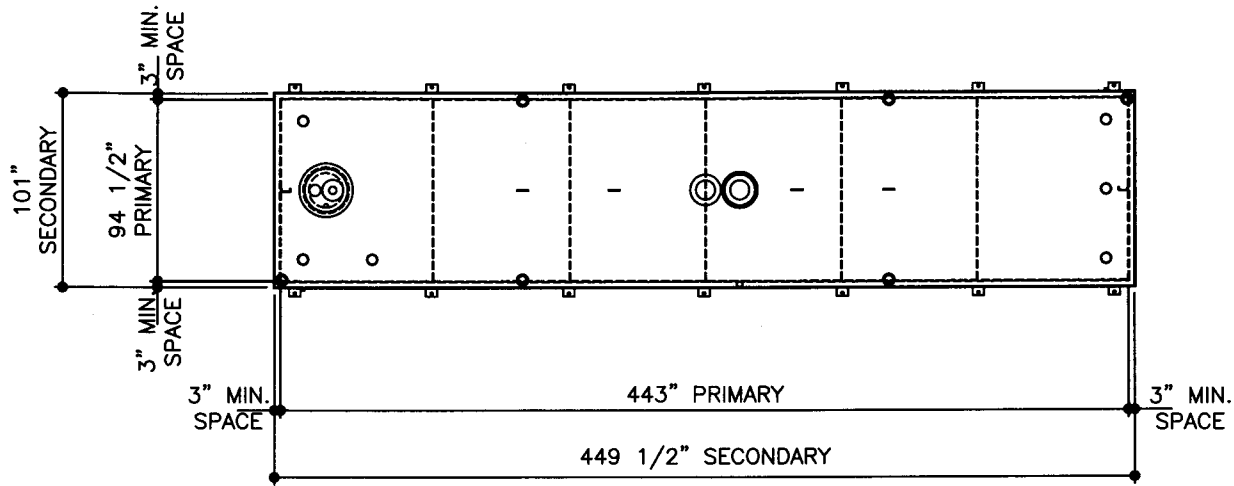
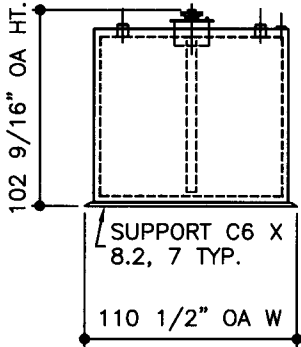


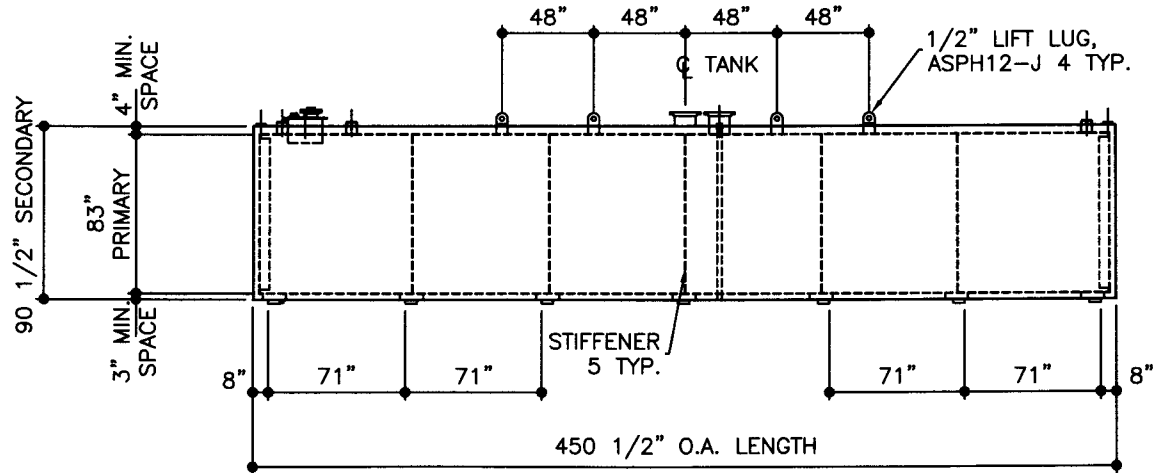
NOTE:
PRIMARY AND SECONDARY
TANK DIMENSIONS ARE
INSIDE DIMENSIONS



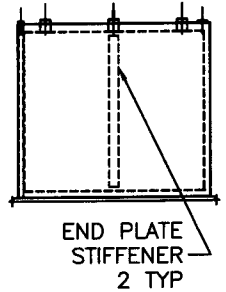
TOP VIEW



ELEVATION - END VIEW



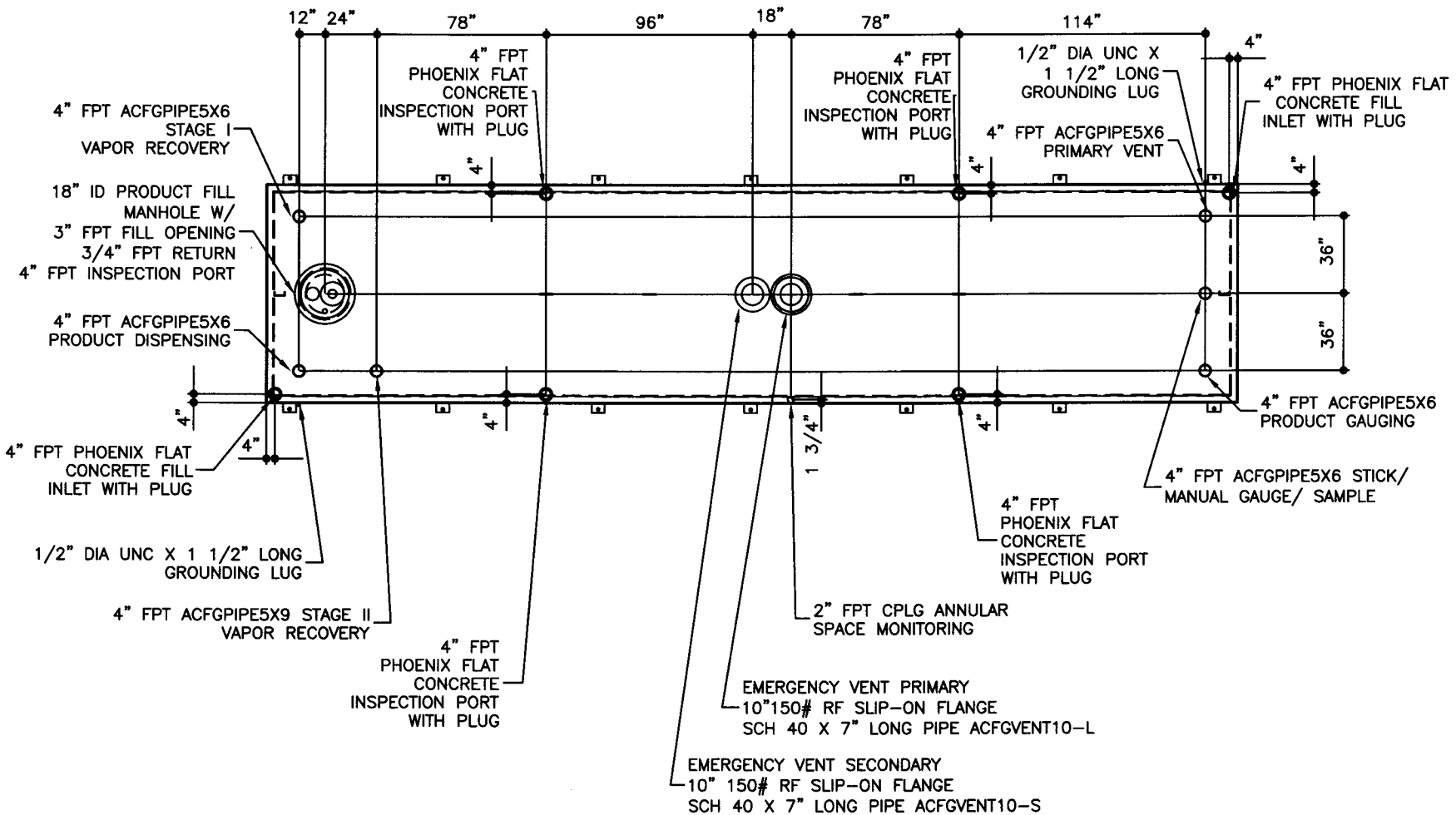
ELEVATION - SIDE VIEW



ELEVATION - END VIEW

TOLERANCES		UL 2085 (BUILT & LABELED) UL 142 (BUILT & LABELED)		STEEL: ASTM A36	COATING:	SPECIAL INSTRUCTIONS	APPROXIMATE SHIPPING WEIGHT:	DRW BY
TANK		HOLDDOWNS ARE SEISMIC RATED DOUBLE WALL WITH 3" INSULATION RECTANGLE FIREGUARD WITH SUPPORTS		INNER TANK: TOP: 2 GAUGE (1/4") SIDE WALLS: 2 GAUGE (1/4") END WALLS: 2 GAUGE (1/4") BOTTOM: 2 GAUGE (1/4")	EXTERIOR ACE 3A COATING: SP-6 GRIT BLAST 3A COLOR: #WH01 (WHITE) 1 CT TN-161 EPOXY 3.0-5.0 MILS 1 CT TN-74 URETHANE 2.0-3.0 MILS TDFT 5.0-8.0 MILS	FILL ANNULAR SPACE WITH PORTLAND CEMENT / PERLITE, CEMENT GRADE MIX. LEAVE 1" AIR GAP BETWEEN PERLITE TOP & SECONDARY TANK	45,800 LBS. WITH CEMENT 35,600 LBS. WITHOUT CEMENT	-
CAPACITY	-0% / +10			OUTER TANK: TOP: 2 GAUGE (1/4") SIDE WALLS: 2 GAUGE (1/4") END WALLS: 2 GAUGE (1/4") BOTTOM: 2 GAUGE (1/4")	SURFACE AREA: 1,402 SQUARE FEET	420 CUBIC FEET	TANK VENT CAPACITY 524,000 PRIMARY 524,000 SECONDARY	1
OVERALL LENGTH	-0' / +2"				INTERIOR: BARE STEEL			
OVERALL WIDTH	-0' / +1"				SURFACE AREA: 1,364 SQUARE FEET			
OVERALL HEIGHT	-1/2" / +1/2"							
OTHER DIMENSIONS	-1/4" / +1/4"							
1-206-281-5000		FIREGUARD - 15,000 GALLON						
ACE PART No.		AC15000U2G3	QTY: 1					
COPYRIGHT 1997 ACE TANK & EQUIPMENT		(F:11ACSTOCK\FIREGUARDIU2G3-317500012-ORTHO.GCD-1:64)						
							JOB ID No. ACE HOUSE PAPER No. ENG. FILE No.	2
							01-01-02 SUPERCEDES 09-01-01	OF





TOP VIEW

JOB ID No.	-	TOLERANCES	QUANTITY	PART NAME	15,000 GALLON RECTANGLE FIREGUARD	No.	DRAWING / REVISION	DRAWN BY	CHECKED BY	SHEET
ACE HOUSE PAPER No.	-	OPENING LAYOUT	1			1	1ST SUBMITTAL	-	-	-
ENGG. FILE No.	-	ALL DIMENSIONS -1/4" / +1/4"		ACE PART No.	AC15000U2G3	-	-	-	-	OF
		48		(F:\ACSHOP\FIREGUARD\U2G3-1-24)						
							01-01-02 SUPERCEDES 10-01-01			