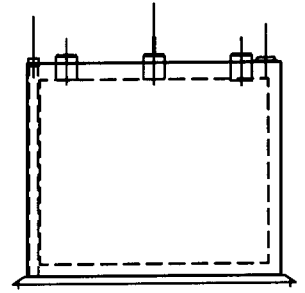
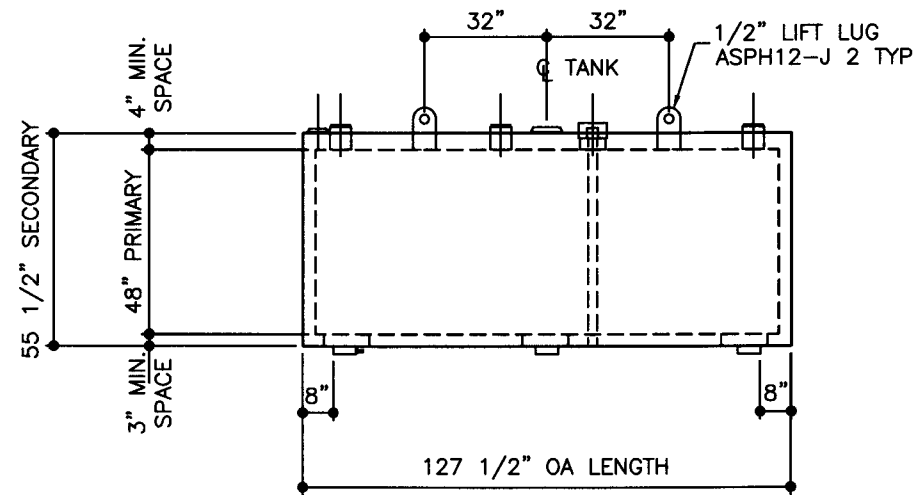
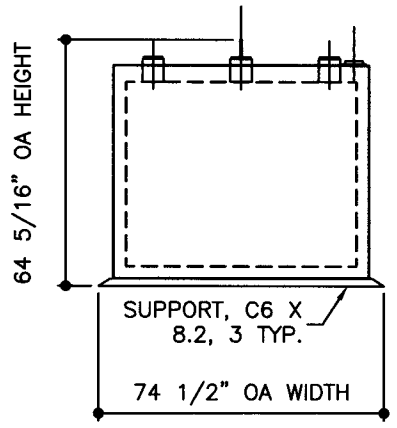
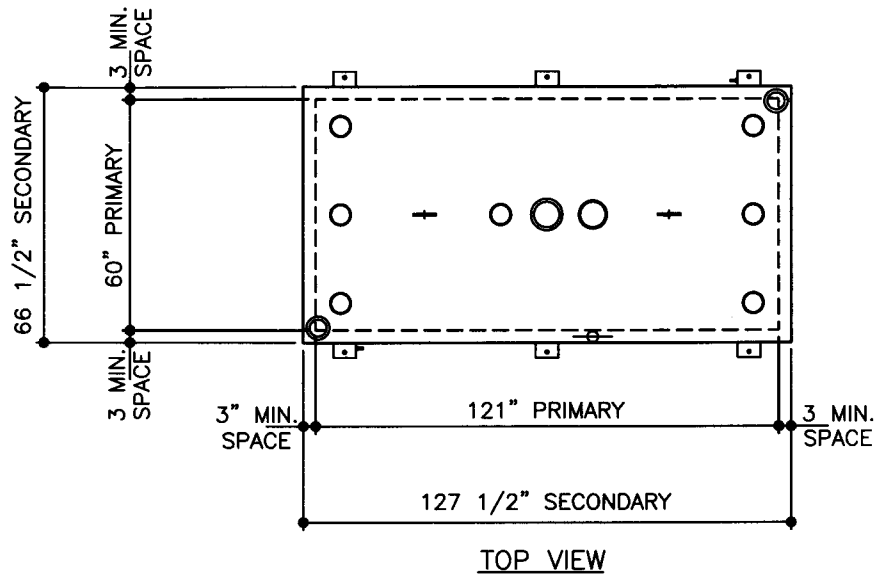


NOTE: PRIMARY AND SECONDARY TANK DIMENSIONS ARE INSIDE DIMENSIONS

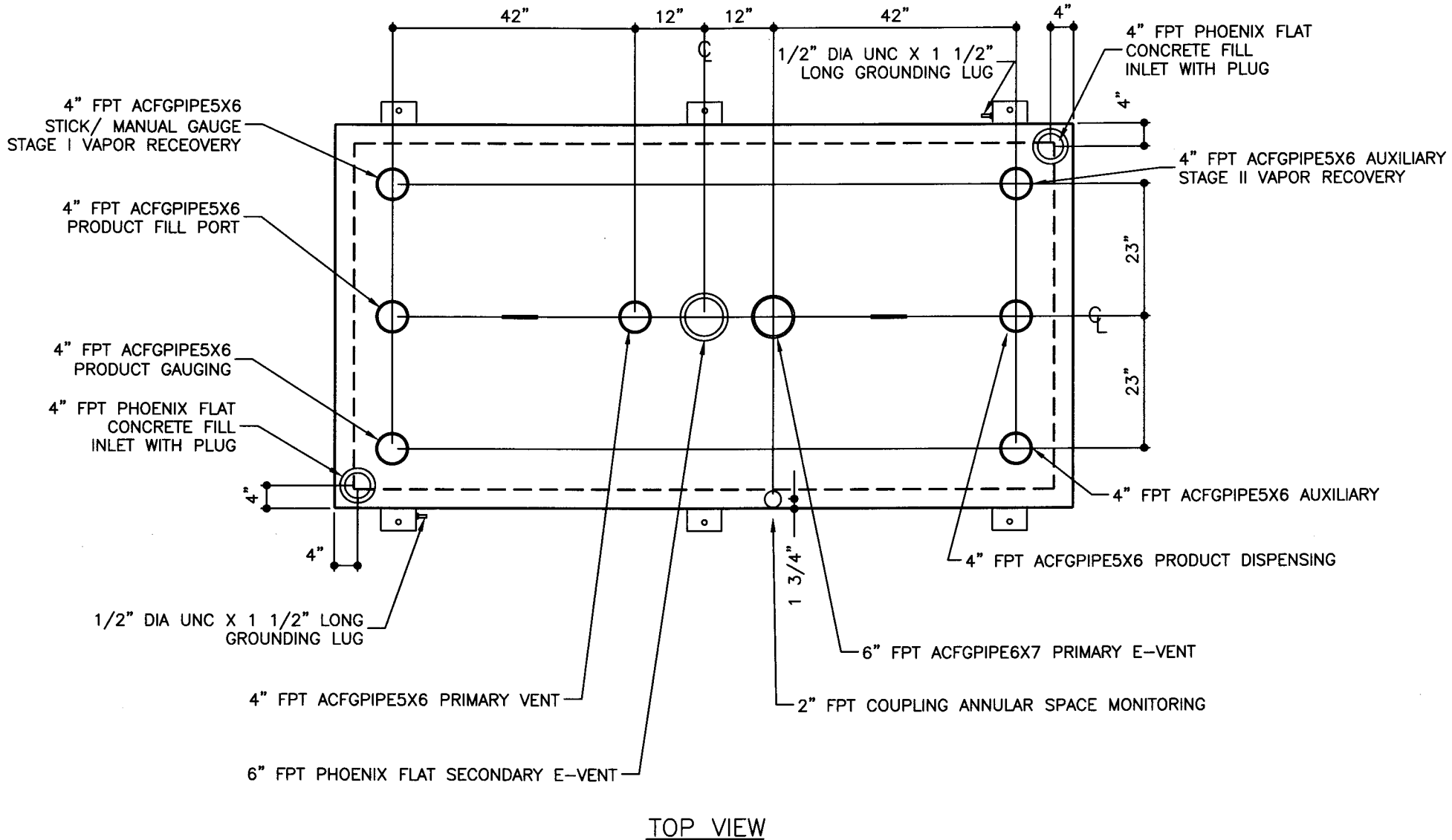


ELEVATION - END VIEW

ELEVATION - SIDE VIEW

ELEVATION - END VIEW

TOLERANCES TANK		UL 2085 (BUILT & LABELED) UL 142 (BUILT & LABELED)	STEEL: ASTM A36 INNER TANK: TOP: 10 GAUGE (9/64") SIDE WALLS: 10 GAUGE (9/64") END WALLS: 10 GAUGE (9/64") BOTTOM: 10 GAUGE (9/64")	COATING: EXTERIOR ACE 3A COATING: SP-6 GRIT BLAST 3A COLOR: #WH01 (WHITE) 1 CT TN-161 EPOXY 3.0-5.0 MILS 1 CT TN-74 URETHANE 2.0-3.0 MILS TDFT 5.0-8.0 MILS	SPECIAL INSTRUCTIONS FILL ANNULAR SPACE WITH PORTLAND CEMENT / PERLITE, CEMENT GRADE MIX. LEAVE 1" AIR GAP BETWEEN PERLITE TOP & SECONDARY TANK	APPROXIMATE SHIPPING WEIGHT: 6,750 LBS. WITH CEMENT 4,850 LBS. WITHOUT CEMENT TANK VENT CAPACITY: 190,000 PRIMARY 239,000 SECONDARY	DRW BY REV No SHEET OF	
CAPACITY -0% / +10 OVERALL LENGTH -0" / +2" OVERALL WIDTH -0" / +1" OVERALL HEIGHT -1/2" / +1/2" OTHER DIMENSIONS -1/4" / +1/4"		HOLDDOWNS ARE SEISMIC RATED DOUBLE WALL WITH 3" INSULATION RECTANGLE FIREGUARD WITH SUPPORTS	OUTER TANK: TOP: 6 GAUGE (3/16") SIDE WALLS: 6 GAUGE (3/16") END WALLS: 6 GAUGE (3/16") BOTTOM: 6 GAUGE (3/16")	SURFACE AREA: 286 SQUARE FEET INTERIOR: BARE STEEL SURFACE AREA: 222 SQUARE FEET	69 CUBIC FEET	JOB ID No. - ACE HOUSE PAPER No. - ENG. FILE No. -	1 2 OF	
1-206-281-5000 Acetank & EQUIPMENT COPYRIGHT 1997 ACE TANK & EQUIPMENT		FIREGUARD - 1,500 GALLON ACE PART No. AC01500U2G3 QTY: 1 (F:11ACSTOCK\FIREGUARD\U2G3-3101500\2-ORTHO.GCD-1.32)					01-01-02 SUPERCEDES 09-01-01	



TOP VIEW

JOB ID No.	-	TOLERANCES	QUANTITY	PART NAME	No.	DRAWING / REVISION	DRAWN BY	CHECKED BY	SHEET
ACE HOUSE PAPER No.	-	OPENING LAYOUT	1	1,500 GALLON RECTANGLE FIREGUARD	1	1ST SUBMITTAL	-	-	-
ENGG. FILE No.	-	ALL DIMENSIONS $-1/4" \pm 1/4"$		ACE PART No.	-	-	-	-	OF
		16		AC01500U2G3	-	-	-	-	
				(F:11ACSHOPIFIREGUARDU2G1-3I-1:16)					
						01-01-02 SUPERCEDES 10-01-01			