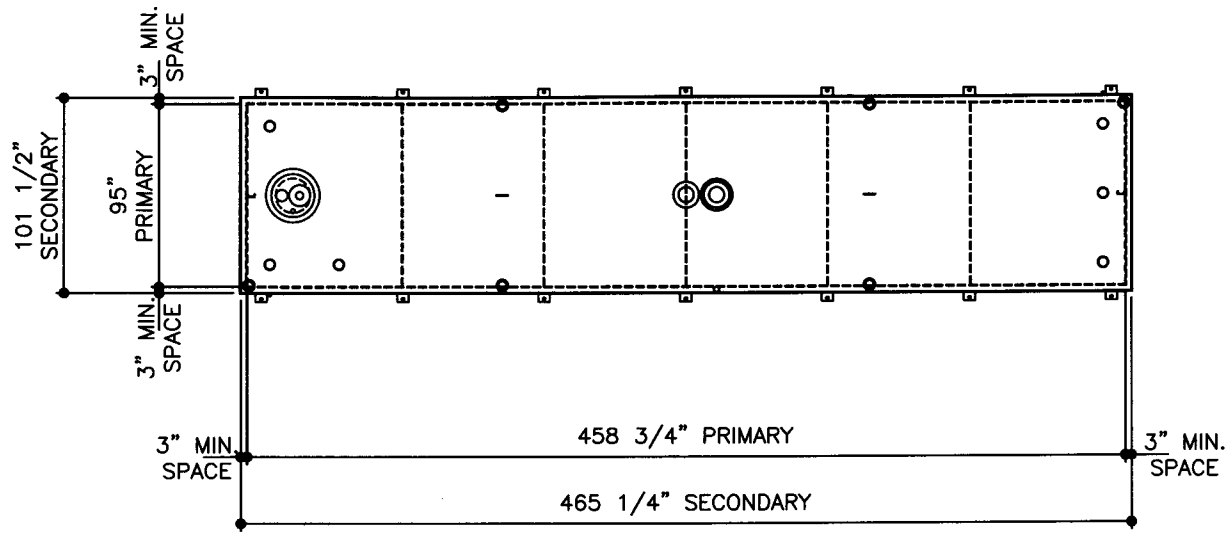
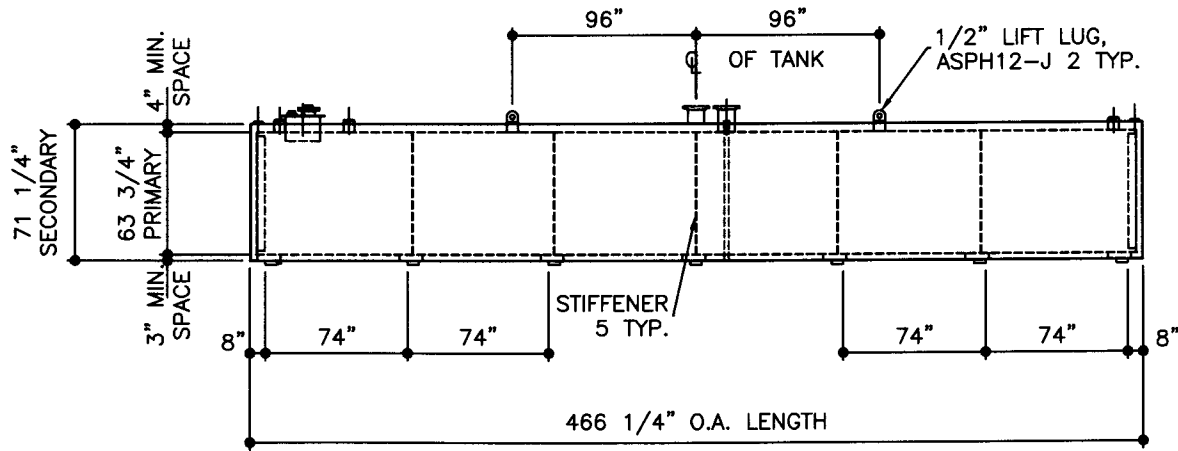


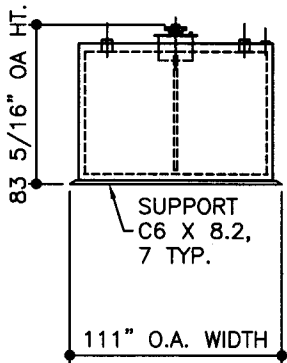
NOTE:  
PRIMARY AND SECONDARY  
TANK DIMENSIONS ARE  
INSIDE DIMENSIONS



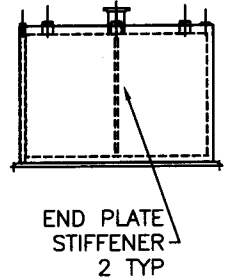
TOP VIEW



ELEVATION - SIDE VIEW

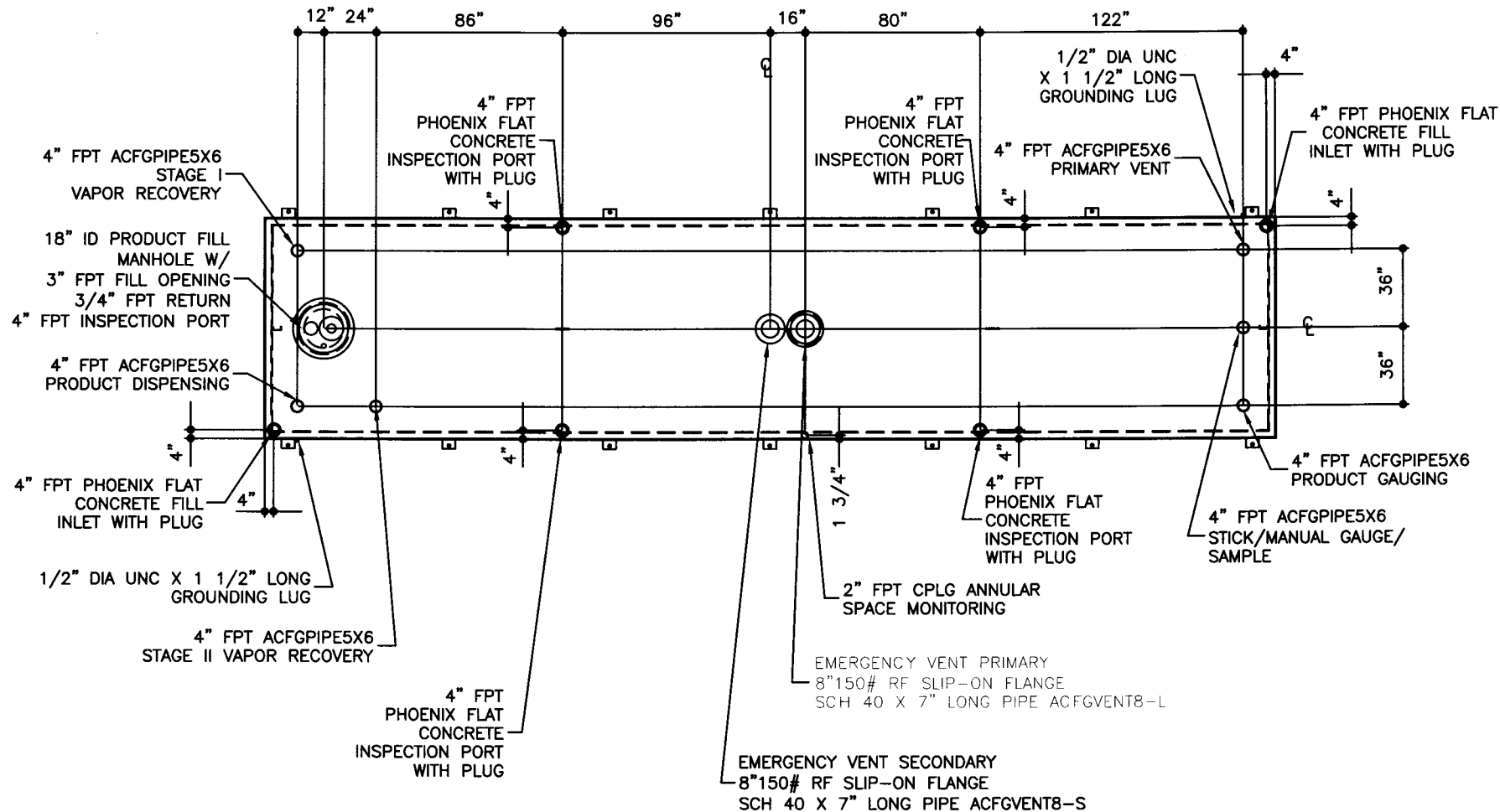


ELEVATION - END VIEW



ELEVATION - END VIEW

<b>TOLERANCES</b> TANK		UL 2085 (BUILT & LABELED) UL 142 (BUILT & LABELED)		<b>STEEL: ASTM A36</b> INNER TANK: TOP: 6 GAUGE (3/16") SIDE WALLS: 6 GAUGE (3/16") END WALLS: 6 GAUGE (3/16") BOTTOM: 6 GAUGE (3/16")		<b>COATING:</b> EXTERIOR ACE 3A COATING: SP-6 GRIT BLAST 3A COLOR: #WH01 (WHITE) 1 CT TN-161 EPOXY 3.0-5.0 MILS 1 CT TN-74 URETHANE 2.0-3.0 MILS TDFT 5.0-8.0 MILS		<b>SPECIAL INSTRUCTIONS</b> FILL ANNULAR SPACE WITH PORTLAND CEMENT / PERLITE, CEMENT GRADE MIX. LEAVE 1" AIR GAP BETWEEN PERLITE TOP & SECONDARY TANK  381 CUBIC FEET		<b>APPROXIMATE SHIPPING WEIGHT:</b> 37,075 LBS. WITH CEMENT 27,350 LBS. WITHOUT CEMENT  TANK VENT CAPACITY 462,000 PRIMARY 493,000 SECONDARY		DRW BY - REV No 1 SHEET 2 OF -
CAPACITY -0% / +10 OVERALL LENGTH -0" / +2" OVERALL WIDTH -0" / +1" OVERALL HEIGHT -1/2" / +1/2" OTHER DIMENSIONS -1/4" / +1/4"		HOLDDOWNS ARE SEISMIC RATED DOUBLE WALL WITH 3" INSULATION RECTANGLE FIREGUARD WITH SUPPORTS		OUTER TANK: TOP: 2 GAUGE (1/4") SIDE WALLS: 6 GAUGE (3/16") END WALLS: 6 GAUGE (3/16") BOTTOM: 2 GAUGE (1/4")		SURFACE AREA: 1,287 SQUARE FEET INTERIOR: BARE STEEL SURFACE AREA: 1,240 SQUARE FEET		APPROXIMATE SHIPPING WEIGHT: 37,075 LBS. WITH CEMENT 27,350 LBS. WITHOUT CEMENT  TANK VENT CAPACITY 462,000 PRIMARY 493,000 SECONDARY		JOB ID No. ACE HOUSE PAPER No. ENG. FILE No. - - - 01-01-02 SUPERCEDES 09-01-01		
1-206-281-5000 <b>Acetank &amp; EQUIPMENT</b> COPYRIGHT 1997 ACE TANK & EQUIPMENT		<b>FIREGUARD - 12,000 GALLON</b> ACE PART No. AC12000U2G3 QTY: 1 (F:11ACSTOCK\FIREGUARD\U2G3-3\120002-ORTHO.GCD-1.64)										



TOP VIEW



P.O. Box 9039  
Seattle, WA 98109-0039

JOB ID No.	-	<b>TOLERANCES</b>	QUANTITY	PART NAME	12,000 GALLON RECTANGLE FIREGUARD	No.	DRAWING / REVISION	DRAWN BY	CHECKED BY	SHEET
ACE HOUSE PAPER No.	-	<b>OPENING LAYOUT</b>	1	ACE PART No.	-	1	1ST SUBMITTAL	-	-	OF
ENGG. FILE No.	-	ALL DIMENSIONS -1/4" / + 1/4"		(F:1ACSHOPIFIREGUARDU2G1-3I-1-24)	AC12000U2G3	-	-	-	-	
		48					01-01-02 SUPERCEDES 10-01-01			