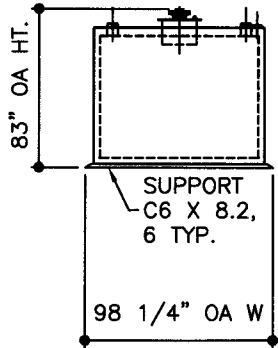
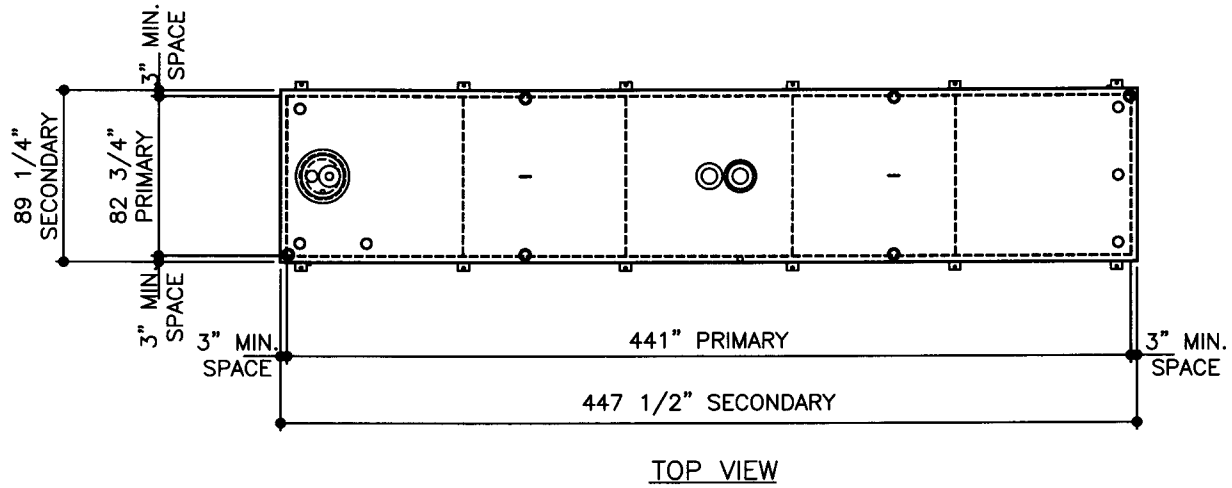
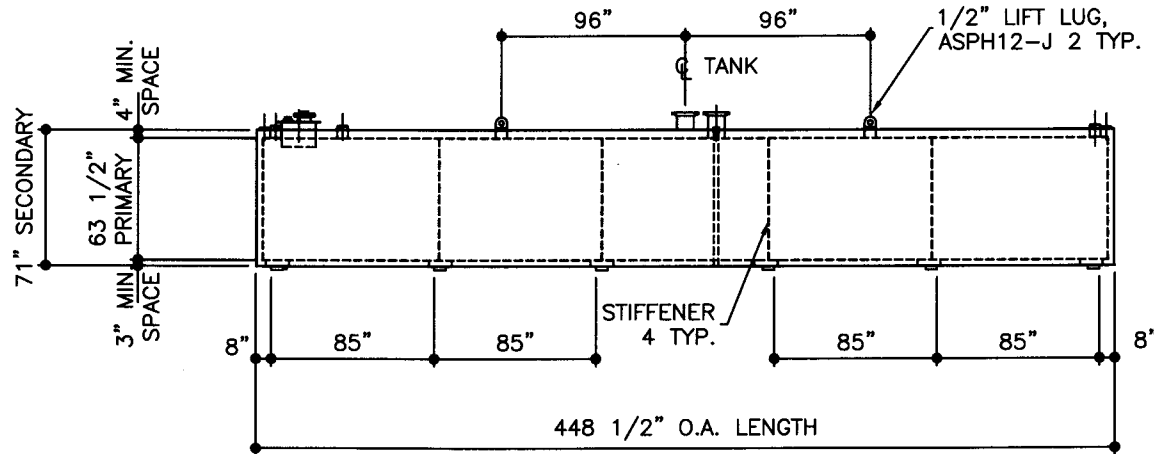


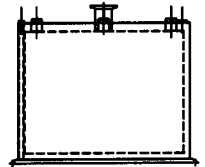
NOTE:
PRIMARY AND SECONDARY
TANK DIMENSIONS ARE
INSIDE DIMENSIONS



ELEVATION - END VIEW

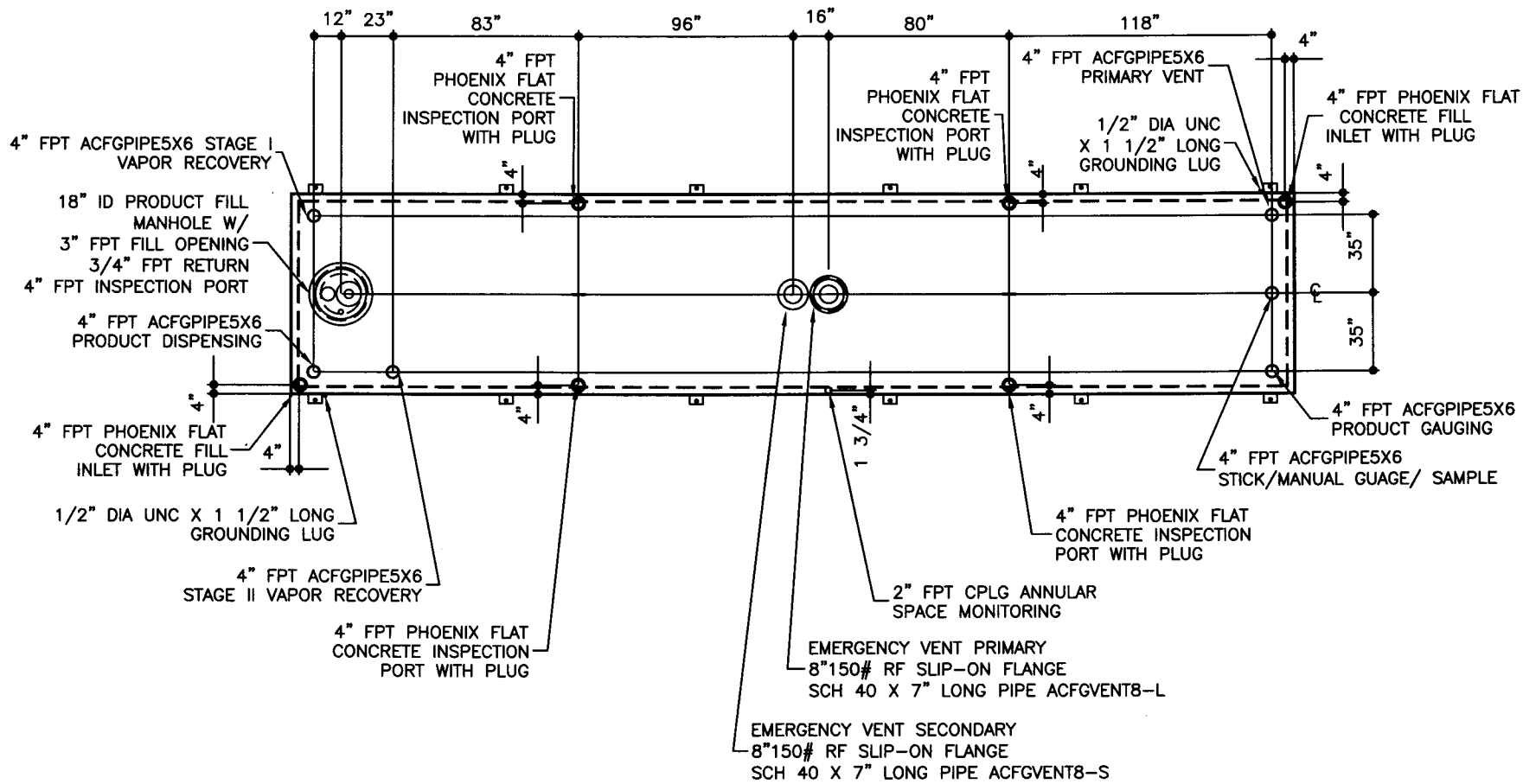


ELEVATION - SIDE VIEW



ELEVATION - END VIEW

TOLERANCES		UL 2085 (BUILT & LABELED) UL 142 (BUILT & LABELED)	STEEL: ASTM A36 INNER TANK: TOP: 6 GAUGE (3/16") SIDE WALLS: 6 GAUGE (3/16") END WALLS: 6 GAUGE (3/16") BOTTOM: 6 GAUGE (3/16") OUTER TANK: TOP: 2 GAUGE (1/4") SIDE WALLS: 6 GAUGE (3/16") END WALLS: 6 GAUGE (3/16") BOTTOM: 6 GAUGE (3/16")	COATING: EXTERIOR ACE 3A COATING: SP-6 GRIT BLAST 3A COLOR: #WH01 (WHITE) 1 CT TN-161 EPOXY 3.0-5.0 MILS 1 CT TN-74 URETHANE 2.0-3.0 MILS TDFT 5.0-8.0 MILS SURFACE AREA: 1,147 SQUARE FEET INTERIOR: BARE STEEL SURFACE AREA: 1,060 SQUARE FEET	SPECIAL INSTRUCTIONS FILL ANNULAR SPACE WITH PORTLAND CEMENT / PERLITE, CEMENT GRADE MIX. LEAVE 1" AIR GAP BETWEEN PERLITE TOP & SECONDARY TANK 337 CUBIC FEET	APPROXIMATE SHIPPING WEIGHT: 31,675 LBS. WITH CEMENT 22,975 LBS. WITHOUT CEMENT TANK VENT CAPACITY 462,000 PRIMARY 493,000 SECONDARY	DRW BY - REV No 1 SHEET 2 OF OF
CAPACITY	-0% / +10						
OVERALL LENGTH	-0" / +2"						
OVERALL WIDTH	-0" / +1"						
OVERALL HEIGHT	-1/2" / +1/2"						
OTHER DIMENSIONS	-1/4" / +1/4"						
1-206-281-5000							
FIREGUARD - 10,000 GALLON							
ACE PART No.	AC10000U2G3	QTY: 1					
(F:11ACSTOCK\FIREGUARDIU2G3-311000012-ORTHO.GCD:1:64)							
JOB ID No. -		ACE HOUSE PAPER No. -	ENG. FILE No. -	01-01-02 SUPERCEDES 09-01-01			



TOP VIEW

JOB ID No.	-	TOLERANCES	QUANTITY	PART NAME	10,000 GALLON RECTANGLE FIREGUARD	No.	DRAWING / REVISION	DRAWN BY	CHECKED BY	SHEET
ACE HOUSE PAPER No.	-	OPENING LAYOUT	1			1	1ST SUBMITTAL	-	-	OF
	-	ALL DIMENSIONS $-1/4" \pm 1/4"$		ACE PART No.	AC10000U2G3	-	-	-	-	
ENGG. FILE No.	-	48		(F:\11ACSHOP\FIREGUARD\U2G1-31-T-24)		-	-	-	-	
							01-01-02 SUPERCEDES 10-01-01			