

TOP VIEW

2" FPT PHOENIX FLAT, CONC PORT WITH PLUG, 2 TYP

4" FPT ACFGPIPE5X6 AUXILIARY STAGE II, VAPOR RECOVERY
 3" FPT ACFGPIPE4X9, VENT PRIMARY STAGE I VAPOR RECOVERY

18" ID PRODUCT FILL MANHOLE W/
 3" FPT FILL OPENING
 3/4" FPT RETURN
 4" FPT INSPECTION PORT

4" FPT ACFGPIPE5X6 PRODUCT DISPENSING/PUMP

4" FPT CPLG, CONC. PUMP WITH PLUG

EMERGENCY VENT SECONDARY
 8" 150# RF SLIP-ON FLANGE
 SCH 40 X 7" LONG PIPE ACFGVENTB-S

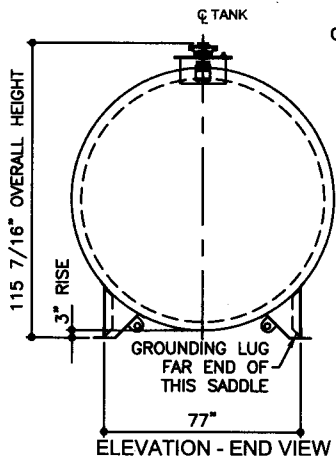
EMERGENCY VENT PRIMARY
 8" 150# RF SLIP-ON FLANGE
 SCH 40 X 11" LONG PIPE ACFGVENTB-L

4" FPT CPLG, CONC. PUMP WITH PLUG

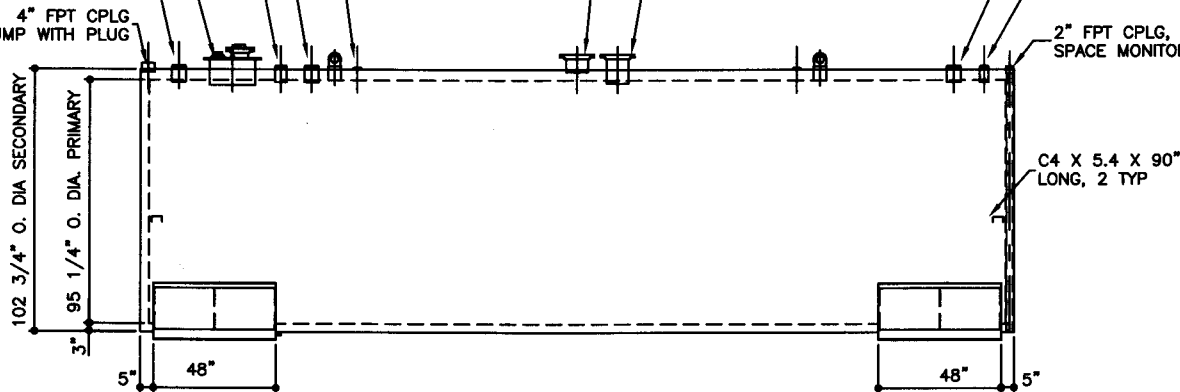
4" FPT ACFGPIPE5X6, PRODUCT GAUGING
 2" FPT ACFGPIPE3X9, STICK/SAMPLE PORT

2" FPT CPLG, ANNULAR SPACE MONITORING

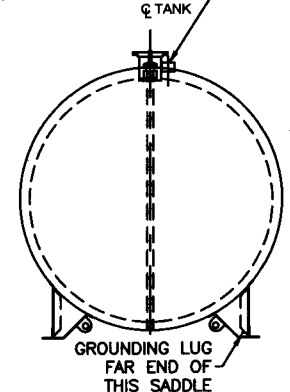
C4 X 5.4 X 90" LONG, 2 TYP



ELEVATION - END VIEW



ELEVATION - SIDE VIEW



ELEVATION - END VIEW

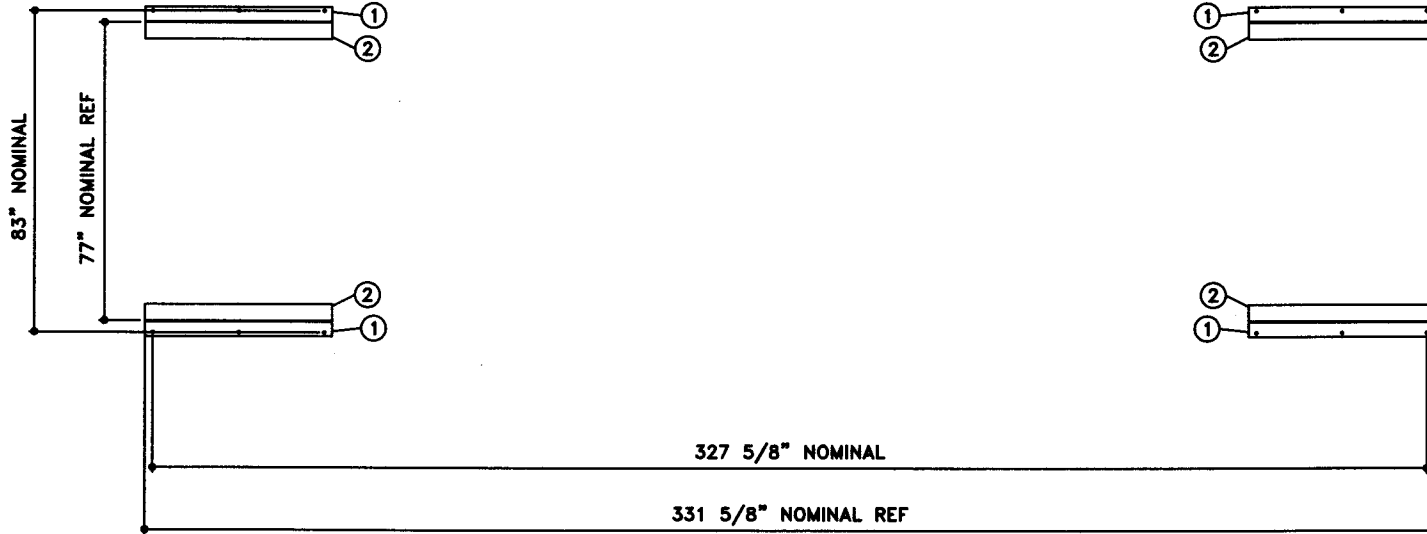
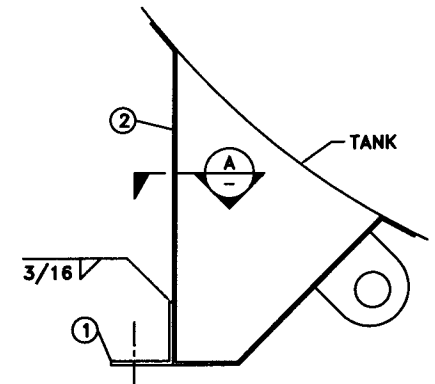
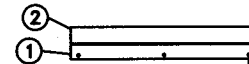
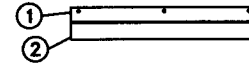
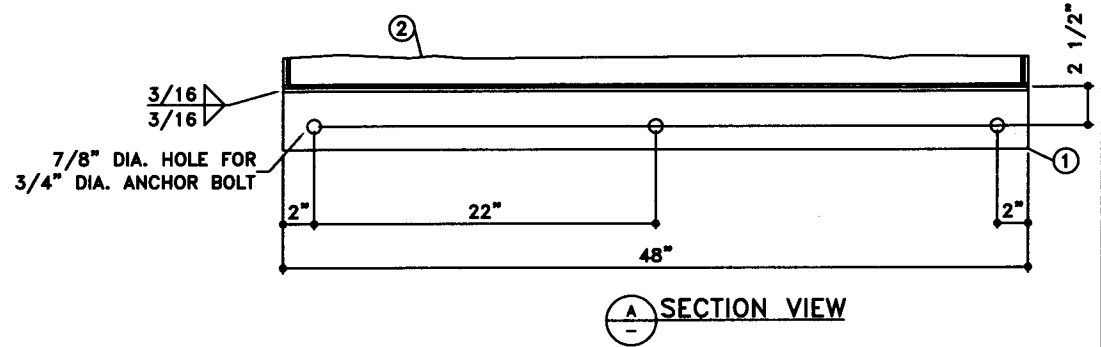
TOLERANCES TANK CAPACITY -0% / +10 OVERALL LENGTH -0" / +2" OVERALL WIDTH -0" / +1" OVERALL HEIGHT -1/2" / +1/2" OTHER DIMENSIONS -1/4" / +1/4"		STEEL: ASTM A36 PRIMARY TANK SHELL: 2 GAUGE (1/4") HEAD: 2 GAUGE (1/4")		COATING: EXTERIOR ACE 3A COATING: SP-6 GRIT BLAST 3A COLOR: #WH01 (WHITE) 1 CT TN-161 EPOXY 3.0-5.0 MILS 1 CT TN-74 URETHANE 2.0-3.0 MILS TDFT 5.0-8.0 MILS		SPECIAL INSTRUCTIONS FILL ANNULAR SPACE WITH PORTLAND CEMENT / PERLITE, CEMENT GRADE MIX. LEAVE 1" AIR GAP BETWEEN PERLITE & SECONDARY TANK INTERSTITIAL SPACE: 254 CUBIC FEET		APPROXIMATE SHIPPING WEIGHT 30,100 LBS. 22,000 LBS. (WITHOUT CEMENT) TANK VENT CAPACITY 392,000 PRIMARY 428,000 SECONDARY		DRW BY - REV No 1 SHEET 2 OF -
1-206-281-5000 Acetank & EQUIPMENT COPYRIGHT 1987 ACE TANK & EQUIPMENT		FIREGUARD - 10,000 GALLON ACE PART No. AC10000U2G1 QTY: 1 (F:111ACSHOP\FIREGUARD\U2G1-3110000\2-ORTHO.GCD-1:48)		SECONDARY TANK SHELL: 2 GAUGE (1/4") HEAD: 0 GAUGE (5/16")		INTERIOR: BARE STEEL		JOB ID No. - ACE HOUSE PAPER No. - ENG. FILE No. - 01-01-02 SUPERCEDES 10-01-01		

BILL OF MATERIAL

ITEM	QTY	NAME	DESCRIPTION	MATL	PART No.	NOTES
1	4	HOLD DOWN	L4 X 4 X 1/4 X 48" LONG	A36	-	-
2	-	SADDLE	-	-	-	SEE DETAIL SHT

NOTE:

1. ALL NOMINAL DIMENSIONS ARE 3"±



HOLDDOWN - TOP VIEW

ELEVATION - END VIEW
SEISMIC HOLD DOWN

JOB ID No.	TOLERANCES
-	SEISMIC HOLD DOWN
ACE HOUSE PAPER No.	OVERALL LENGTH -1/16" / +1/16"
-	OVERALL WIDTH -1/16" / +1/16"
ENGG. FILE No.	OVERALL HEIGHT -1/16" / +1/16"
-	OTHER DIMENSIONS -1/16" / +1/16"

QUANTITY	PART NAME
1	SEISMIC HOLD DOWN - DETAIL
	AC10000U2G1
	(1:08)

No.	DRAWING / REVISION	DRAWN BY	CHECKED BY	SHEET
1	1ST SUBMITTAL	-	-	OF
-	-	-	-	-
-	-	-	-	-
-	-	-	-	-

01-01-01 SUPERCEDES