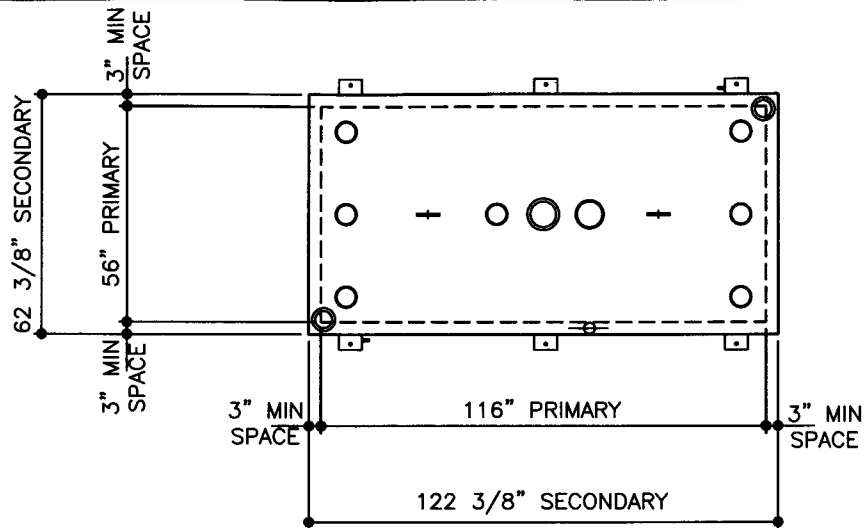
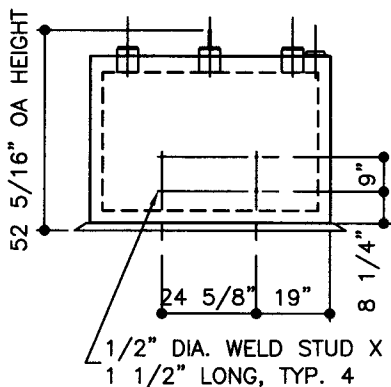


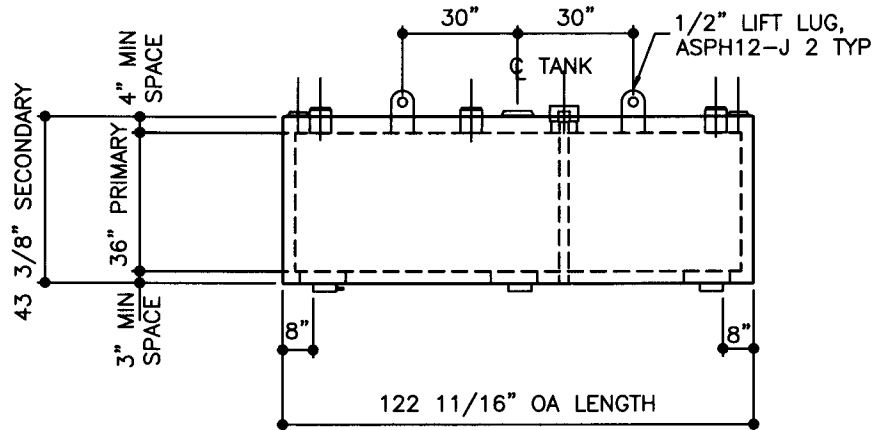
NOTE: PRIMARY AND SECONDARY TANK DIMENSIONS ARE INSIDE DIMENSIONS



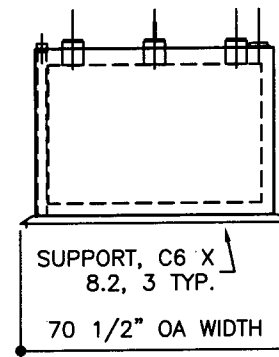
TOP VIEW



ELEVATION - END VIEW

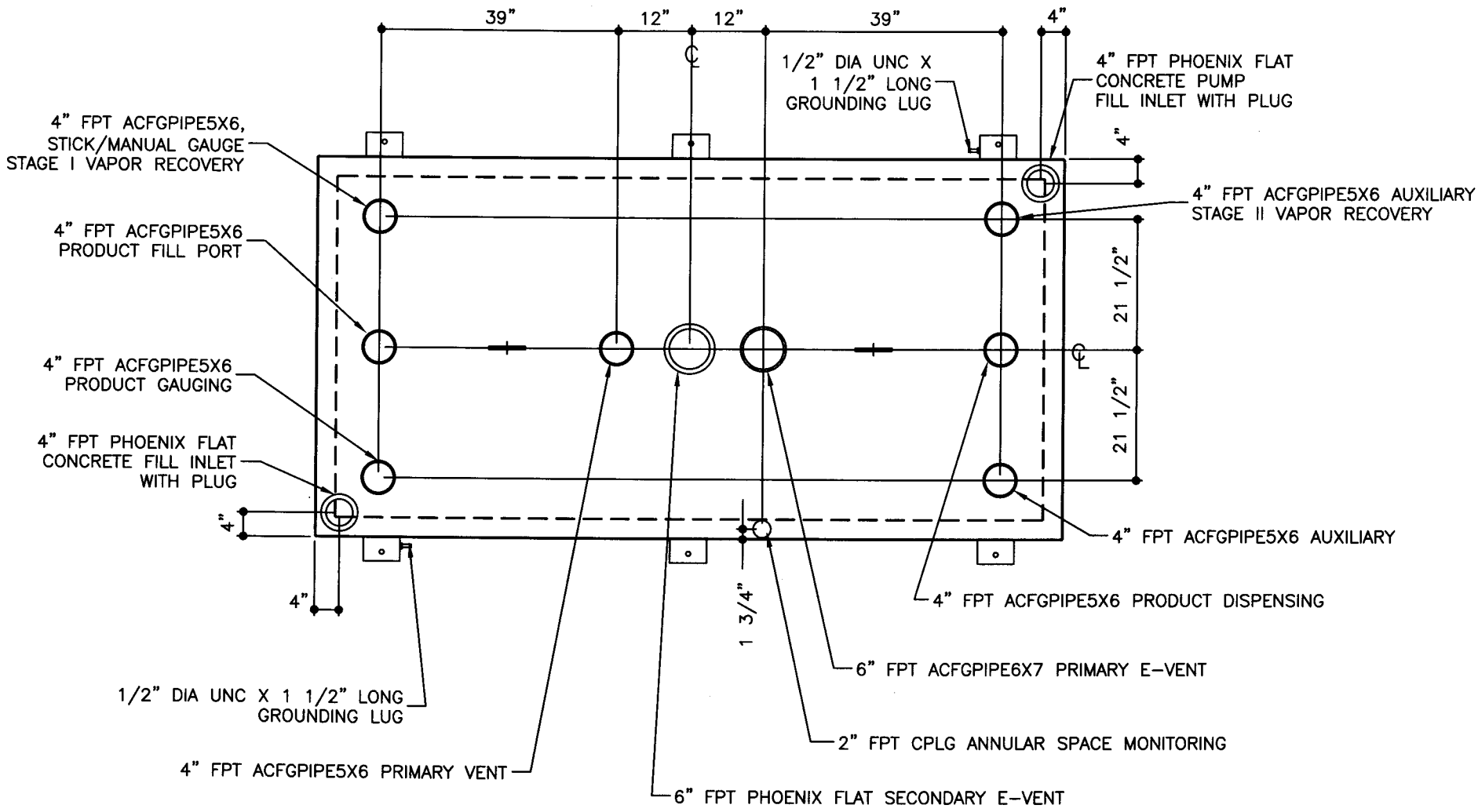


ELEVATION - SIDE VIEW



ELEVATION - END VIEW

<b>TOLERANCES</b> TANK		UL 2085 (BUILT & LABELED) UL 142 (BUILT & LABELED)		STEEL: ASTM A36 INNER TANK: TOP: 10 GAUGE (9/64") SIDE WALLS: 10 GAUGE (9/64") END WALLS: 10 GAUGE (9/64") BOTTOM: 10 GAUGE (9/64")		COATING: EXTERIOR ACE 3A COATING: SP-6 GRIT BLAST 3A COLOR: #WH01 (WHITE) 1 CT TN-161 EPOXY 3.0-5.0 MILS 1 CT TN-74 URETHANE 2.0-3.0 MILS TDFT 5.0-8.0 MILS		SPECIAL INSTRUCTIONS FILL ANNULAR SPACE WITH PORTLAND CEMENT / PERLITE, CEMENT GRADE MIX. LEAVE 1" AIR GAP BETWEEN PERLITE TOP & SECONDARY TANK		APPROXIMATE SHIPPING WEIGHT: 5,550 LBS. WITH CEMENT 4,025 LBS. WITHOUT CEMENT TANK VENT CAPACITY: 147,000 PRIMARY 190,000 SECONDARY		DRW BY - REV No 1 SHEET 2 OF -
CAPACITY -0% / +10 OVERALL LENGTH -0" / +2" OVERALL WIDTH -0" / +1" OVERALL HEIGHT -1/2" / +1/2" OTHER DIMENSIONS -1/4" / +1/4"		HOLDDOWNS ARE SEISMIC RATED DOUBLE WALL WITH 3" INSULATION RECTANGLE FIREGUARD WITH SUPPORTS		OUTER TANK: TOP: 6 GAUGE (3/16") SIDE WALLS: 6 GAUGE (3/16") END WALLS: 6 GAUGE (3/16") BOTTOM: 6 GAUGE (3/16")		SURFACE AREA: 234 SQUARE FEET INTERIOR: BARE STEEL SURFACE AREA: 176 SQUARE FEET		55 CUBIC FEET		8.2, 3 TYP. 70 1/2" OA WIDTH		01-01-02 SUPERCEDES 09-01-01
1-206-281-5000 <b>Acetank &amp; Equipment</b> COPYRIGHT 1997 ACE TANK & EQUIPMENT		<b>FIREGUARD - 1,000 GALLON</b>		ACE PART No. AC01000U2G3 QTY: 1 (F:11ACSTOCK\FIREGUARD\U2G3-310100012-ORTHO.GCD-1:32)								



TOP VIEW



P.O. Box 9039  
Seattle, WA 98109-0039

JOB ID No.	-	<b>TOLERANCES</b>	QUANTITY	PART NAME	1,000 GALLON RECTANGLE FIREGUARD	No.	DRAWING / REVISION	DRAWN BY	CHECKED BY	SHEET
ACE HOUSE PAPER No.	-	<b>OPENING LAYOUT</b>	1			1	1ST SUBMITTAL			OF
ENG. FILE No.	-	ALL DIMENSIONS -1/4" / + 1/4"								
				ACE PART No.	AC01000U2G3					
		16		(F:11ACSHOP\FIREGUARD\U2G1-3I-1:16)						
							01-01-02 SUPERCEDES 10-01-01			