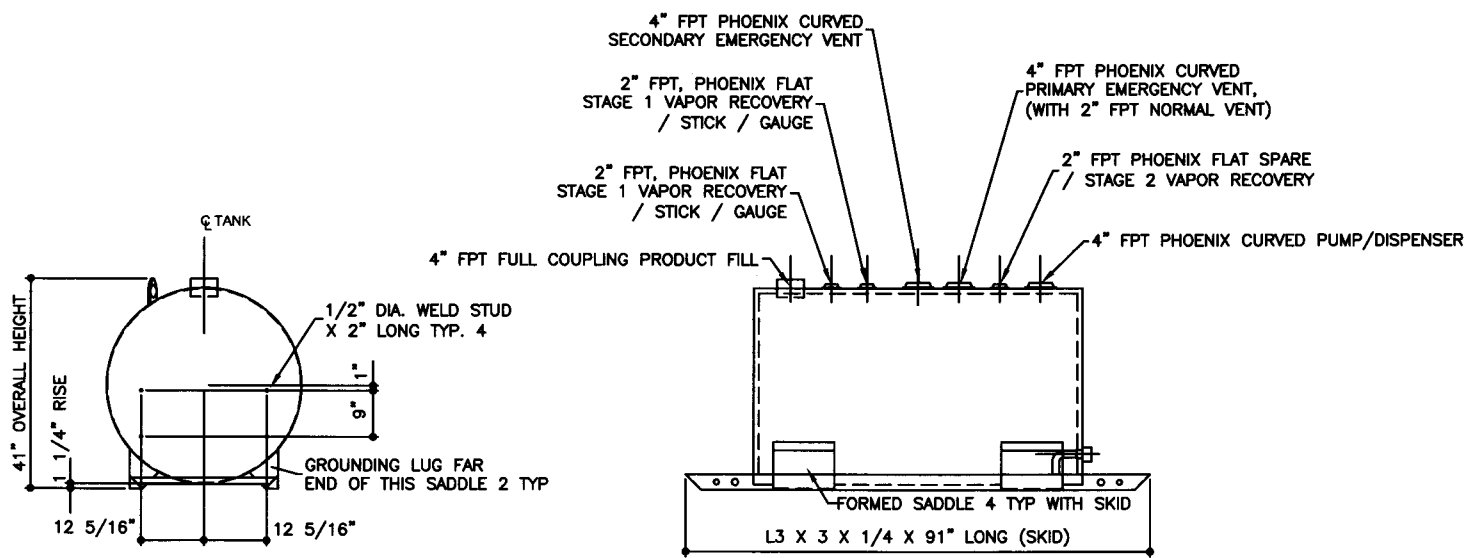
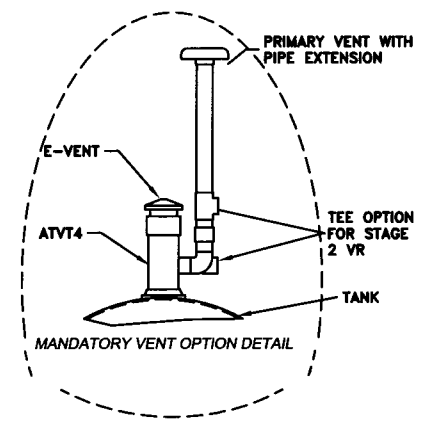
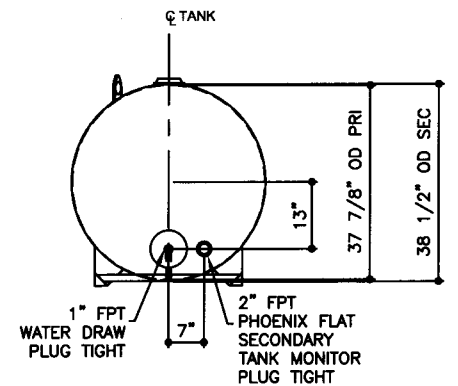


TOP VIEW



ELEVATION - SIDE VIEW



ELEVATION - END VIEW

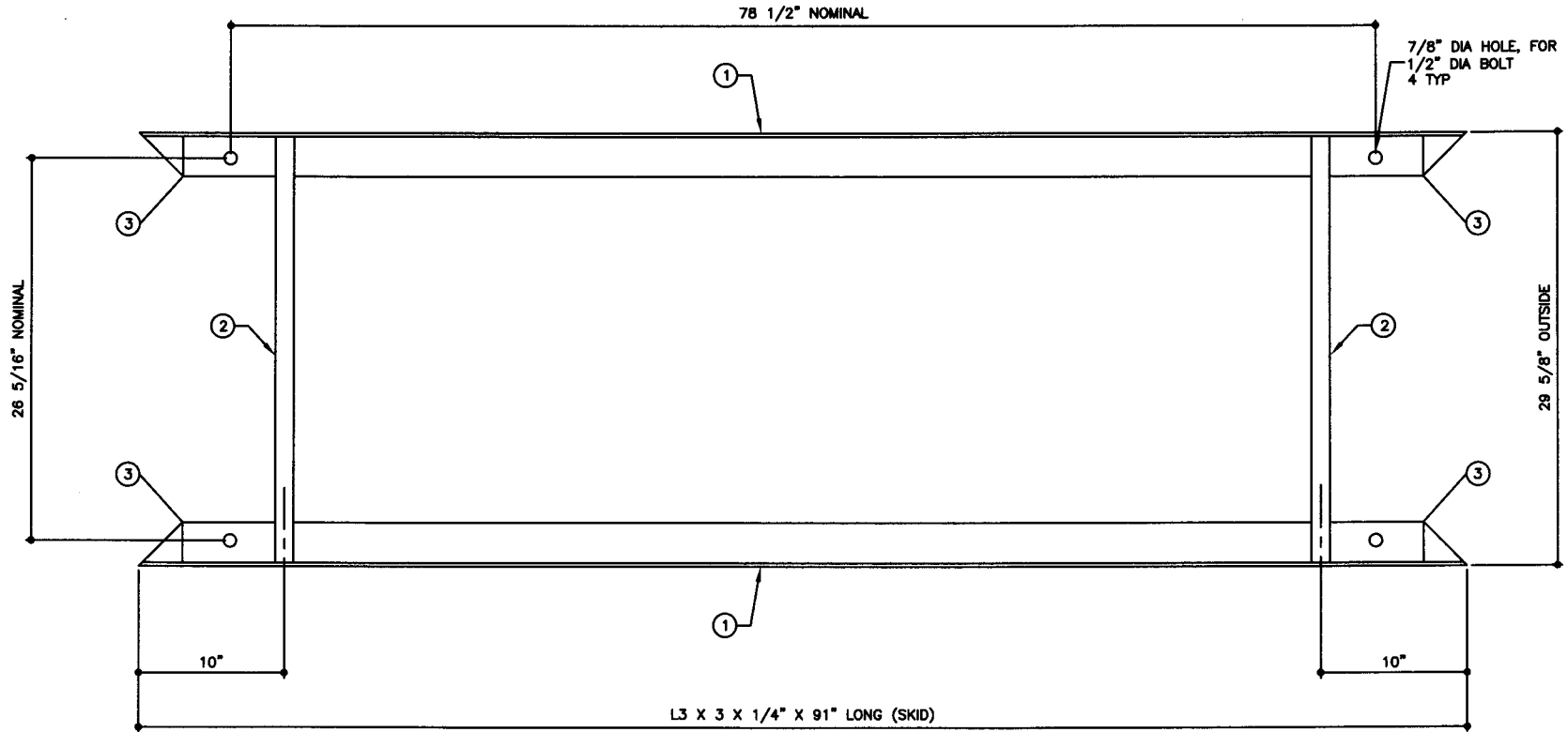
ELEVATION - END VIEW

TOLERANCES TANK CAPACITY -0% / +10 OVERALL LENGTH -0" / +2" OVERALL WIDTH -0" / +1" OVERALL HEIGHT -1/2" / +1/2" OTHER DIMENSIONS -1/4" / +1/4"		UL 142 (BUILT & LABELED) HOLDDOWNS ARE SEISMIC RATED DOUBLE WALL TANK SKID TANK		STEEL: ASTM A36 PRIMARY TANK SHELL: 12 GAUGE (7/64") HEAD: 12 GAUGE (7/16")		COATING: "R" EXTERIOR COATING, ACE 1A RED SHOP COAT 1-3 MILS "A" EXTERIOR ACE 3A COATING: SP-6 GRIT BLAST 3A COLOR: #WH01 (WHITE) 1 CT TN-161 EPOXY 3.0-5.0 MILS 1 CT TN-74 URETHANE 2.0-3.0 MILS TDFT 5.0-8.0 MILS		SPECIAL INSTRUCTIONS PLUG TIGHT WRENCH PLUG TIGHT WITH PIPE DOPE		APPROXIMATE SHIPPING WEIGHT 860 LBS. TANK VENT CAPACITY 52,700 PRIMARY 52,700 SECONDARY		DRW BY - REV No 1 SHEET 2 OF
1-206-281-5000 		AceSkidlite II - 300 GALLON		SECONDARY TANK SHELL: 12 GAUGE (7/64") HEAD: 10 GAUGE (9/64")		INTERIOR: BARE STEEL		JOB ID No. - ACE HOUSE PAPER No. - ENG. FILE No. -		04-01-02 SUPERCEDES 9-1-01		
ACE PART No. AC00300U2K4 QTY: 1		(F:111ACSHOPISKIDU2K410030012-ORTH.GCD-1:24)										

NOTE:
1. ALL NOMINAL DIMENSIONS ARE 2"±

BILL OF MATERIAL

ITEM	QTY	NAME	DESCRIPTION	MATL	PART No.	NOTES
1	2	SKID ANGLE	L3 X 3 X 1/4" X 91" LONG	A36	-	MOUNT, COAT
2	2	SKID STIFFENER	1 1/4" SCH 40 PIPE X 29 1/8" LONG	A36	-	MOUNT, COAT
3	-	SKID CAP	PLATE	-	-	SEE DTL SHT



TOP VIEW

JOB ID No.	TOLERANCES
-	SKID
ACE HOUSE PAPER No.	OVERALL LENGTH -1/4" / +1/4"
ENG. FILE No.	OVERALL WIDTH -1/4" / +1/4"
-	OVERALL HEIGHT -1/4" / +1/4"
-	OTHER DIMENSIONS -1/8" / +1/8"

QUANTITY	PART NAME	SKID DETAILS
1	ACE PART No.	AC00300U2K4
(1:08)		

No.	DRAWING / REVISION	DRAWN BY	CHECKED BY	SHEET
1	1ST SUBMITTAL	-	-	OF
-	-	-	-	
-	-	-	-	
-	-	-	-	
01-01-01 SUPERCEDES				