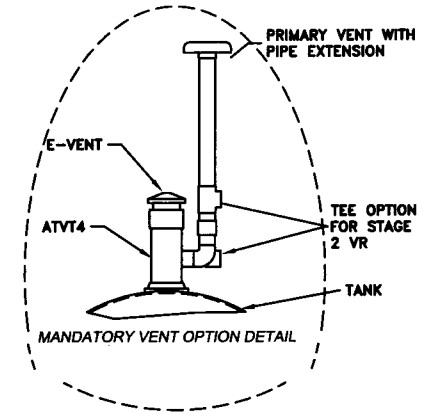
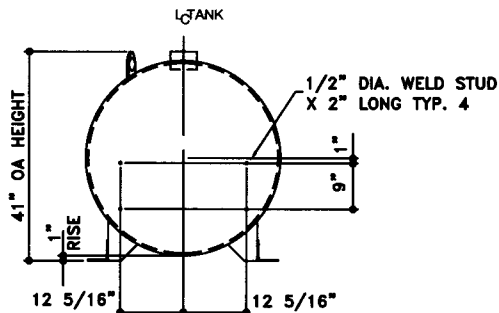


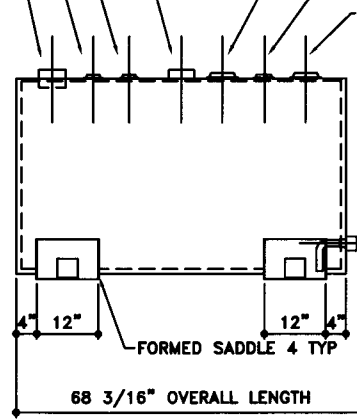
TOP VIEW



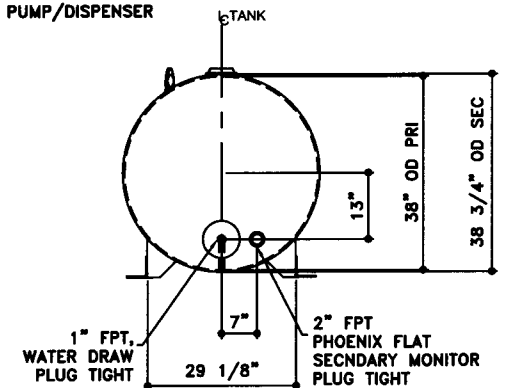
- 4" FPT HALF COUPLING, SECONDARY EMERGENCY VENT
- 2" FPT PHOENIX FLAT, STAGE 1 VAPOR RECOVERY / STICK / GAUGE
- 2" FPT PHOENIX FLAT, STAGE 1 VAPOR RECOVERY / STICK / GAUGE
- 4" FPT FULL COUPLING PRODUCT FILL
- 4" FPT PHOENIX CURVED, PRIMARY EMERGENCY VENT, (WITH 2" FPT NORMAL VENT)
- 2" FPT PHOENIX FLAT, SPARE / STAGE 2 VAPOR RECOVERY
- 4" FPT PHOENIX CURVED, PUMP/DISPENSER



ELEVATION - END VIEW



ELEVATION - SIDE VIEW



ELEVATION - END VIEW

TOLERANCES	
TANK	
CAPACITY	-0% / +10
OVERALL LENGTH	-0" / +2"
OVERALL WIDTH	-0" / +1"
OVERALL HEIGHT	-1/2" / +1/2"
OTHER DIMENSIONS	-1/4" / +1/4"

UL 142 (BUILT & LABELED)
 HOLDDOWNS ARE SEISMIC RATED
 DOUBLE WALL TANK
 SADDLE TANK

STEEL: ASTM A36
 PRIMARY TANK
 SHELL: 12 GAUGE (7/64")
 HEAD: 12 GAUGE (7/16")

COATING:
 "R" EXTERIOR COATING, ACE 1A
 RED SHOP COAT 1-3 MILS

"A" EXTERIOR ACE 3A COATING:
 SP-6 GRIT BLAST
 3A COLOR: #WH01 (WHITE)
 1 CT TN-161 EPOXY 3.0-5.0 MILS
 1 CT TN-74 URETHANE 2.0-3.0 MILS
 TDFT 5.0-8.0 MILS

SPECIAL INSTRUCTIONS
 PLUG TIGHT
 WRENCH PLUG TIGHT WITH PIPE DOPE

APPROXIMATE SHIPPING WEIGHT
 775 LBS.

TANK VENT CAPACITY
 52,700 PRIMARY TANK
 52,700 SECONDARY TANK

DRW BY
 REV No
 SHEET
 OF



AceSaddleLite II - 300 GALLON

ACE PART No. **AC00300U2S4** QTY: **1**

(F:111ACSHOPISADDLEIU2S4100300U2-ORTH.GCD-1.24)

SECONDARY TANK
 SHELL: 12 GAUGE (7/64")
 HEAD: 10 GAUGE (9/64")

INTERIOR:
 BARE STEEL

JOB ID No. ACE HOUSE PAPER No. ENG. FILE No.

04-01-02 SUPERCEDES 01-01-02