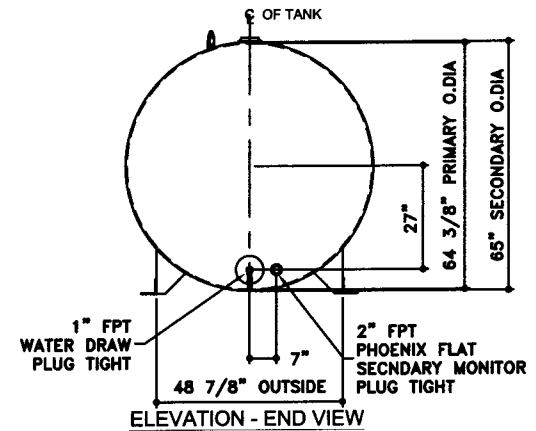
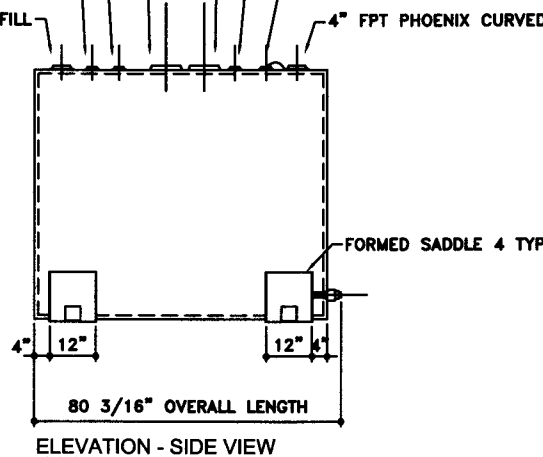
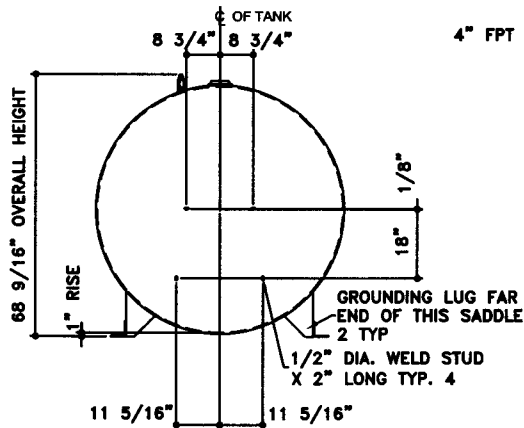


- 6" FPT PHOENIX CURVED SECONDARY EMERGENCY VENT
- 2" FPT PHOENIX FLAT STICK/GAUGE/STAGE 1 VAPOR RECOVERY
- 2" FPT PHOENIX FLAT STICK/GAUGE/STAGE 1 VAPOR RECOVERY
- 4" FPT PHOENIX CURVED FILL
- 6" FPT PHOENIX CURVED PRIMARY EMERGENCY VENT
- 2" FPT PHOENIX FLAT NORMAL VENT
- 2" FPT PHOENIX FLAT SPARE/STAGE 2 VAPOR RECOVERY
- 4" FPT PHOENIX CURVED PUMP/DISPENSER



<b>TOLERANCES</b>		UL 142 (BUILT & LABELED) HOLDDOWNS ARE SEISMIC RATED DOUBLE WALL TANK SADDLE TANK	STEEL: ASTM A36 PRIMARY TANK SHELL: 10 GAUGE (9/64") HEAD: 10 GAUGE (9/64")	COATING: "R" EXTERIOR COATING, ACE 1A RED SHOP COAT 1-3 MILS  "A" EXTERIOR ACE 3A COATING: SP-6 GRIT BLAST 3A COLOR: #WH01 (WHITE) 1 CT TN-181 EPOXY 3.0-5.0 MILS 1 CT TN-74 URETHANE 2.0-3.0 MILS TDFT 5.0-8.0 MILS	SPECIAL INSTRUCTIONS PLUG TIGHT WRENCH PLUG TIGHT WITH PIPE DOPE ON THREADS AND TESTED LEAK FREE.	APPROXIMATE SHIPPING WEIGHT 1,910 LBS.	DRW BY	
TANK							REV No	
CAPACITY	-0% / +10	AceSaddleLite II - 1,000 GALLON	SECONDARY TANK SHELL: 10 GAUGE (9/64") HEAD: 10 GAUGE (9/64")	INTERIOR: BARE STEEL		TANK VENT CAPACITY 126,000 PRIMARY TANK  126,000 SECONDARY TANK	1	
OVERALL LENGTH	-0" / +2"						SHEET	
OVERALL WIDTH	-0" / +1"						2	
OVERALL HEIGHT	-1/2" / +1/2"						OF	
OTHER DIMENSIONS	-1/4" / +1/4"							
1-208-281-5000		ACE PART No. AC01000U2S4	QTY: 1			JOB ID No.	ACE HOUSE PAPER No.	ENG. FILE No.
COPYRIGHT 1987 ACE TANK & EQUIPMENT		(F:111ACSHOPISADDLEU2S41010002-ORTHO,GCD-1:32)				01-01-02 SUPERCEDES 09-01-01		