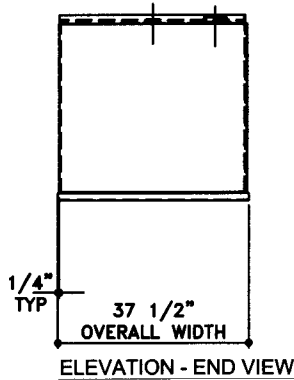
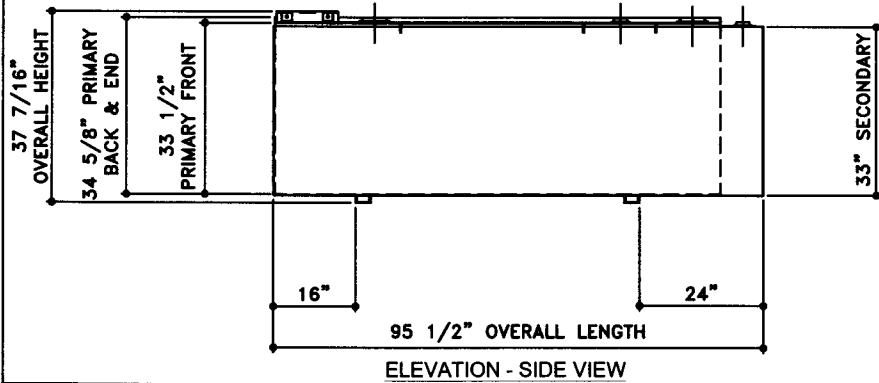
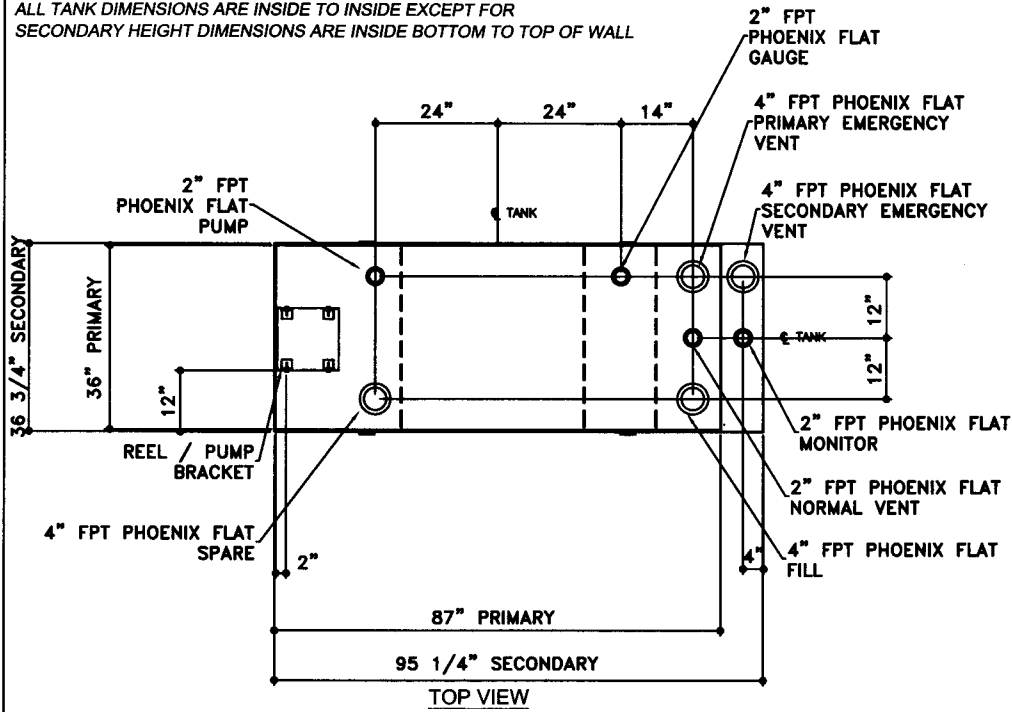


NOTE:
ALL TANK DIMENSIONS ARE INSIDE TO INSIDE EXCEPT FOR
SECONDARY HEIGHT DIMENSIONS ARE INSIDE BOTTOM TO TOP OF WALL



TOLERANCES	
TANK	
CAPACITY	-0% / +10
OVERALL LENGTH	-0" / +1/2"
OVERALL WIDTH	-0" / +1/2"
OVERALL HEIGHT	-0" / +1/2"
OTHER DIMENSIONS	-1/4" / +1/4"

UL 142 (BUILT & LABELED)
DOUBLE WALL TANK
RECTANGLE TANK

TANK
PRIMARY TANK:
TOP: 10 GAUGE (9/64)
SIDE WALL: 6 GAUGE (3/16)
END WALL: 12 GAUGE (7/64)
BOTTOM: 10 GAUGE (9/64)

COATING:
"G" EXTERIOR COATING, ACE 1E
LIGHT GRAY SHOP COAT 1-3 MILS
"A" EXTERIOR ACE 3A COATING:
SP-6 GRIT BLAST
3A COLOR: #WH01 (WHITE)
1 CT TN-161 EPOXY 3.0-5.0 MILS
1 CT TN-74 URETHANE 2.0-3.0 MILS
TDFT 5.0-8.0 MILS

SPECIAL INSTRUCTIONS
PLUG TIGHT
WRENCH PLUG TIGHT WITH PIPE DOPE
ON THREADS AND TESTED LEAK FREE.

APPROXIMATE SHIPPING WEIGHT:
1,022 LBS.

TANK VENT CAPACITY
84,200 PRIMARY TANK
94,800 SECONDARY TANK



Ace BenchTop - 450 GALLON

ACE PART No. AC00450U2R3 QTY: 1

(F:\11\ACSHOPIRECTANGLU2R3\100450\2-ORTH.GCD-1:16)

SECONDARY TANK:
TOP: 12 GAUGE (7/64)
SIDE WALL: 12 GAUGE (7/64)
END WALL: 12 GAUGE (7/64)
BOTTOM: 12 GAUGE (7/64)

INTERIOR:
BARE STEEL

JOB ID No. - ACE HOUSE PAPER No. - ENG. FILE No. -

01-01-02 SUPERCEDES 09-01-01

DRW BY -
REV No 1
SHEET 2
OF